



Air for life

Installation regulations

Flair 325

English



Installation regulations

Flair 325



Store near the appliance

This appliance may be used by children as of 8 years of age, persons with reduced physical or mental capacities, and persons with limited knowledge and experience if they are supervised or have received instructions on how to use the appliance safely and are aware of the possible dangers.

Children younger than 3 years of age must be kept away from the appliance, unless they are under constant supervision.

Children between the ages of 3 and 8 may switch the appliance on or off, but only if supervised or if they have received clear instructions on the safe use of the appliance and understand the possible dangers, on the condition that the appliance has been placed and installed in the normal position for use. Children between the ages of 3 and 8 may not insert the plug into the socket, nor clean or make changes to the settings of the appliance, nor carry out any maintenance on the appliance that would normally be carried out by the user. Children may not play with the appliance.

If you need a new power cable, always order the replacement from Brink Climate Systems B.V. To prevent dangerous situations, a damaged mains connection must only be replaced by a qualified expert!

Country: USA

Contents

1	Scope of delivery	5	11.4	Connecting CO ₂ sensor(s)	41
1.1	Scope of delivery	5	11.5	Demand-controlled ventilation 2.0	41
2	General	6	11.6	Connecting postheater	43
3	Technical specifications	7	11.7	Connecting preheater	44
3.1	Technical information	7	11.8	Connecting Geo-heat exchanger	45
3.2	Connections and dimensions	8	12	Service parts	46
3.3	Exploded view of appliance	10	12.1	Exploded view	46
4	Operation	11	12.2	Service articles	47
4.1	Description	11	13	Settings	49
4.2	Bypass	11	13.1	Setting values standard appliance	49
4.3	Frost protection	12	13.2	Setting values appliance with (Plus) pcb	52
4.4	Optional Plus pcb	12	14	Conformity declaration	54
5	Installation	13	15	ERP values	55
5.1	Installation general	13	16	Recycling and disposal	57
5.2	Placing the appliance	13			
5.3	Connecting the condensate discharge	14			
5.4	Connecting air ducts	15			
5.5	Electrical connections	17			
5.5.1	Connecting the power plug	17			
5.5.2	Connecting the 4 position switch	17			
5.5.3	Connecting an eBus accessory	17			
5.5.4	24 volt connection	17			
5.5.5	Humidity sensor connection	18			
5.5.6	Connecting BrinkBus	18			
5.5.7	Signal output connection	18			
5.5.8	ModBus connection	18			
5.5.9	Coupling appliances using internal Bus	19			
6	Display	20			
6.1	General explanation of control panel	20			
6.2	Display layout	21			
6.3	Display information	24			
7	Setting to work	25			
7.1	Turning the appliance on and off	25			
7.2	Setting the air flow	25			
7.3	Other settings for installer	26			
7.4	Factory settings	26			
8	Fault	27			
8.1	Fault analysis	27			
8.2	Display Codes	27			
9	Maintenance	30			
9.1	Cleaning filters	30			
9.2	Maintenance P-trap	30			
9.3	Maintenance installer	31			
10	Electrical diagram	35			
11	Electrical connections accessories	37			
11.1	Connecting 4 position switch	37			
11.1.1	Connecting 4 position switch with filter indication	37			
11.1.2	Connecting extra 4 position switch with filter indication	38			
11.2	Connecting Touch Control	39			
11.3	Connecting humidity sensor	40			

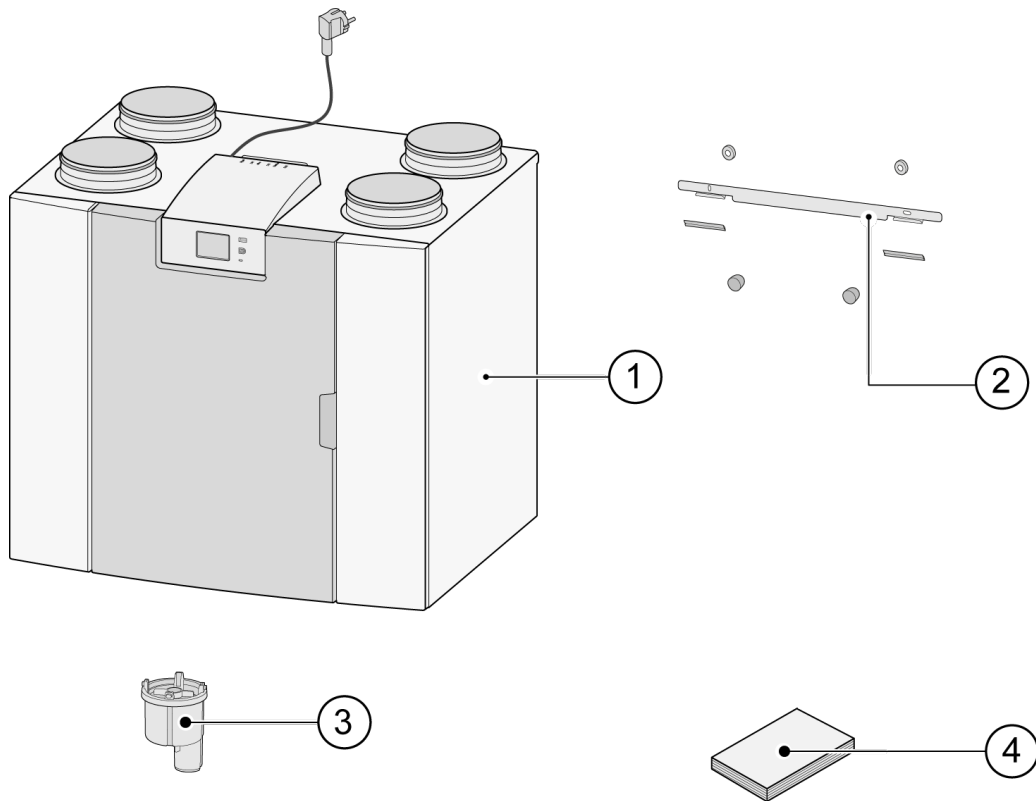
1 Scope of delivery

1.1 Scope of delivery

Before installation of the heat recovery appliance is started, check that it has been supplied in complete and undamaged condition.

The delivery of the Flair heat recovery appliance consists of the following components:

1. Heat recovery appliance
2. Wall mounting bracket consisting of:
 - 1x mounting bracket
 - 2x protective caps
 - 2x rubber strip
 - 2x rubber rings
3. Waterless P-trap
4. Installation instructions



2 General

The Flair 325 is a ventilation unit with heat recovery for the balanced ventilation of dwellings.

Features:

- Maximum capacity 325 m³/h, 191 CFM
- High efficiency heat exchanger
- Filters ISO Coarse 60%, MERV 7
- Modular electric preheater
- Automatic bypass valve
- Touchscreen
- Adjustable air quantity
- Filter indication on the appliance and the possibility of a filter indication on the 4 position switch
- An intelligent frost protection
- Low sound level
- Constant flow control

For the Flair 325 there is an optional Plus PCB available with more functions/ connection possibilities (> [Electrical diagram](#) -> page 35, [Optional Plus pcb](#) -> page 12).

These installation instructions describe both the standard Flair 325 and the Flair with (Plus) PCB.

The Flair 325 is available in **Left-hand** and **Right-hand** versions; it is not possible to convert the left and right-hand models into one another.

For the correct connection ducts and dimensions

If you want to continue to ventilate in a balanced way at a temperature lower than -15°C, 5°F it is recommended to use an additional preheater.

When the appliance is placed in an area where very cold outside air is expected for a long time (<-25°C, <-13°F), an additional preheater (see → [Connecting preheater](#) -> page 44) must always be installed!

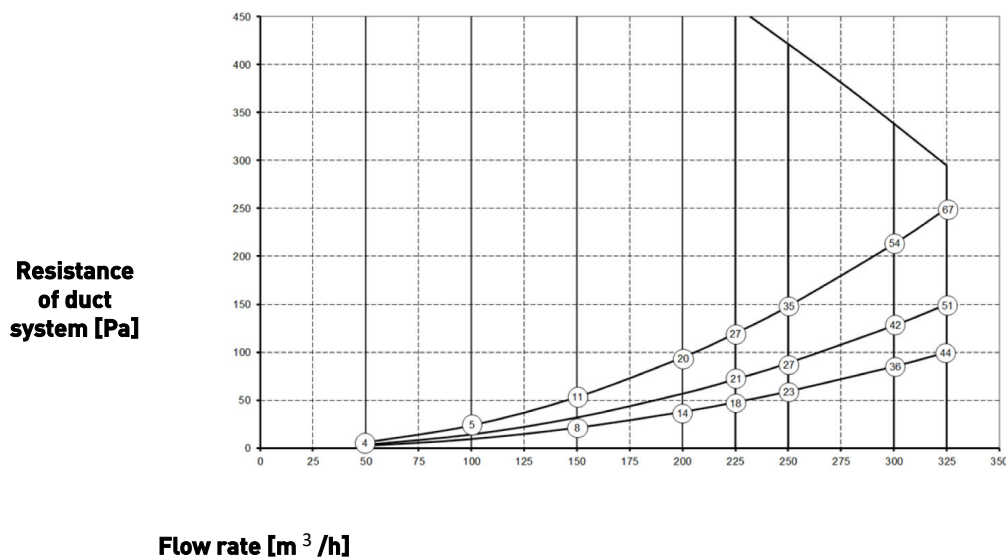
The appliance comes ready to plug in with a 230 V NEMA 6-15 plug.

3 Technical specifications

3.1 Technical information

Flair 325										
Supply voltage [V/Hz]	230V/50Hz - 60Hz									
Dimensions (w x h x d) [mm, "]	750 x 650 x 560 - 29.5 x 25.6 x 22.0"									
Duct diameter [mm, "]	ø160, 6.3"									
Ext. diameter condensate discharge [mm, "]	ø32, 1.25"									
Weight [kg, lbs]	37 kg, 81.5lbs									
Filter class	ISO Coarse 60% (ISO ePM1.0 50% for the air supply optional)									
Fan setting (factory setting)	0	1	2	3	max.					
Factory setting [m ³ /h]	50 m ³ /h (29CFM)	100 m ³ /h (59CFM)	150 m ³ /h (89CFM)	250 m ³ /h (148CFM)	325 m ³ /h (192CFM)					
Permissible resistance of duct system [Pa]	2	6	9	24	21	53	59	148	100	250
Rated power (excl. preheater) [W]	6.1	6.6	7.9	10.3	15.1	21.0	46.6	69.1	87.5	133.4
Rated current (excl. preheater) [A]	0.08	0.08	0.09	0.11	0.15	0.21	0.41	0.59	0.73	1.07
Rated power preheater [W]	1000									
Max. rated current (incl. preheater switched on) [A]	6									
Cos φ	0.341	0.343	0.389	0.394	0.430	0.439	0.492	0.507	0.521	0.542
Sound power										
Ventilation capacity [m ³ /h]			100	150	150	200	200	250	325	
Ventilation capacity [CFM]			59	89	89	118	118	148	192	
Sound power level Lw(A)	Static pressure [Pa]		25	25	50	50	100	150	150	
	Casing radiation [dB(A)]		27	34	35	40	41	46	51	
	Duct 'From dwelling' [db(A)]		32	40	38	46	44	49	55	
	Duct 'To dwelling' [db(A)]		44	49	51	55	57	62	69	

*) Duct noise including end correction. In practice the value may differ by 1dB(A) through measurement tolerances.

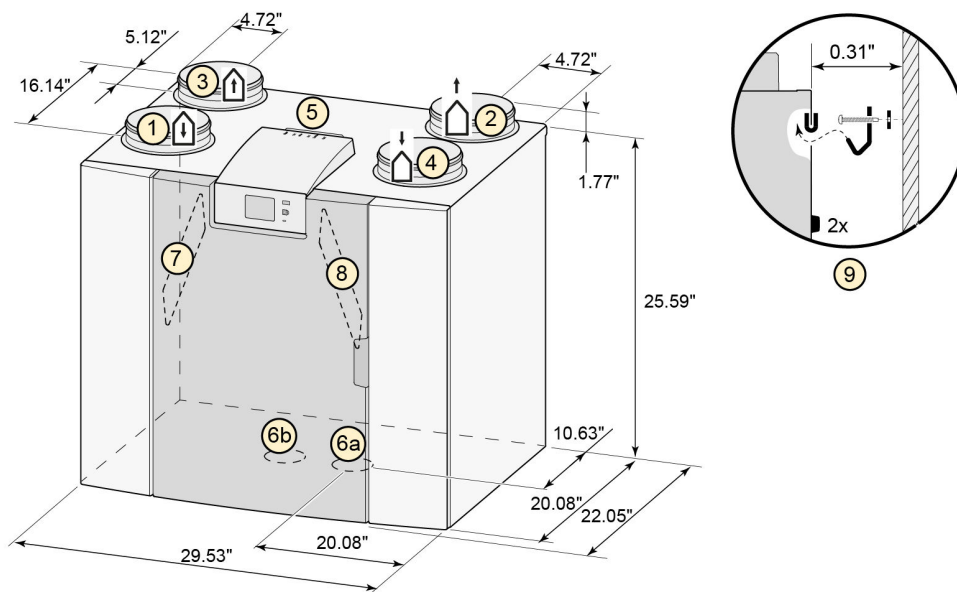


Note:
The stated value in the circle is the capacity (in Watt) per fan.

3.2 Connections and dimensions

The Flair appliance is available in a left-hand and right-hand version. With a left-hand version the “warm” connections (from dwelling 3 and to dwelling 1) are on the left-hand side of the appliance; the condensate discharge is then mounted at the right-hand opening below the appliance. With a right-hand version the “warm” connections (1 & 3) are on the right-hand side of the appliance.

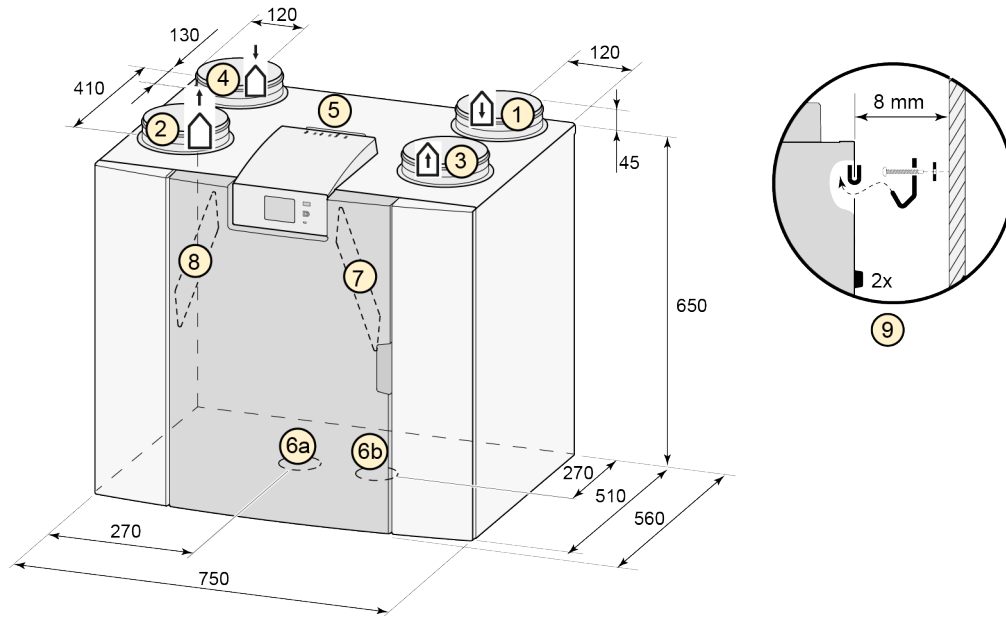
Left-hand version







All dimensions in inches. Diameter of all collars is 160 mm, 6.3”

1	Supply air	
2	Exhaust air	
3	Extract	
4	Outdoor air	
5	Electrical connections	
6a	Waterless P-trap connection	
6b	Sealing cap unused condensate discharge connection; do not remove!	
7	Extract air filter	
8	Supply air filter	
9	Mounting bracket	

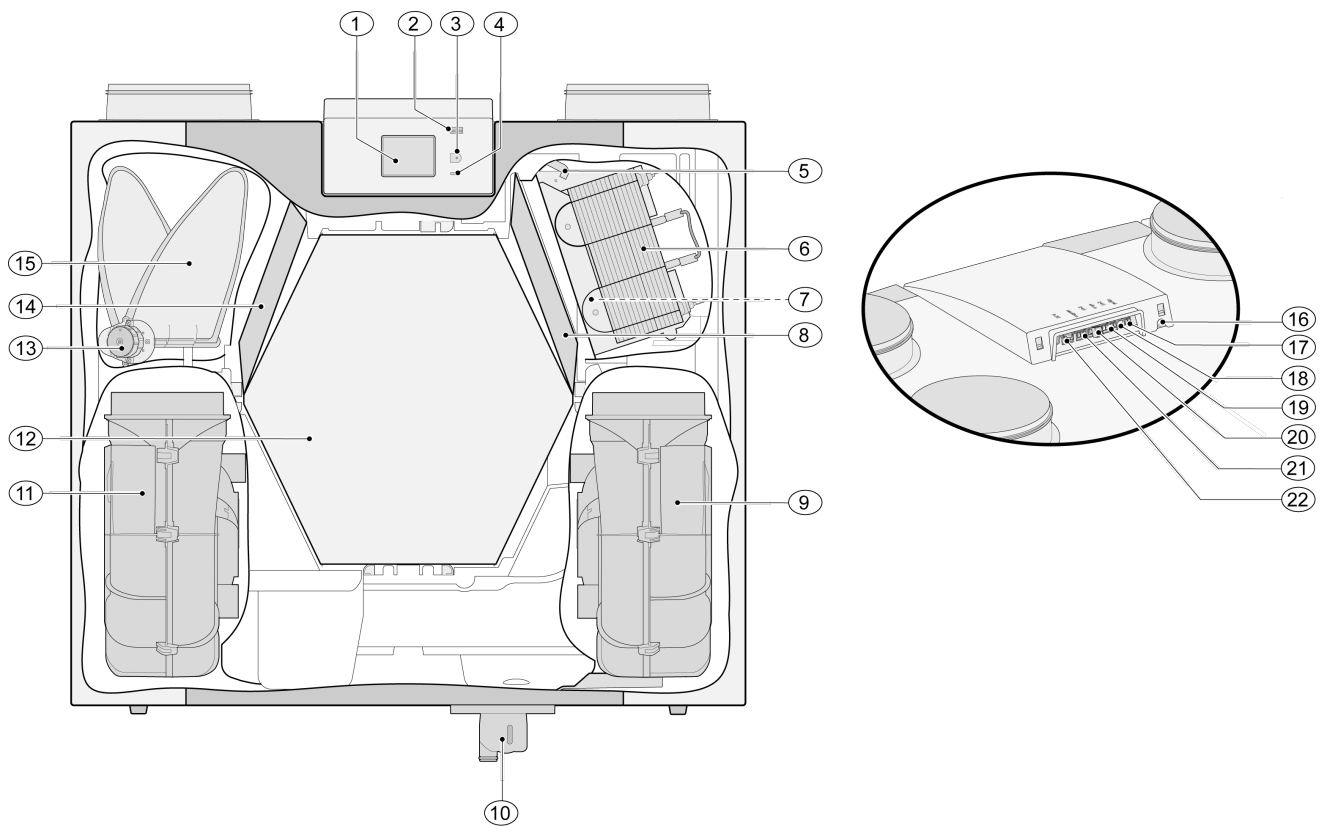
Right-hand version



All dimensions in millimeters. Diameter of all collars is 160 mm, 6.3"

1	Supply air	
2	Exhaust air	
3	Extract	
4	Outdoor air	
5	Electrical connections	
6a	Waterless P-trap connection	
6b	Sealing cap unused condensate discharge connection; do not remove!	
7	Extract air filter	
8	Supply air filter	
9	Mounting bracket	

3.3 Exploded view of appliance



The appliance shown above is a left-hand version: in the case of a right-hand version, the connector of the preheater, bypass valve and the P-trap connector are installed in mirror image!

1	Touchscreen	12	Heat exchanger
2	USB connector (X13)	13	Motor bypass valve
3	Service connector	14	Exhaust air filter
4	LED indicator	15	Bypass valve
5	Overheat protection preheater	16	Power cable 230 volt
6	Preheater	17	Signal output (X19)
7	Temperature sensor	18	24 volt connector (X18)
8	Supply filter	19	eBus connector (X17)
9	Exhaust fan	20	24 volt connector (X16)
10	P-trap	21	Modbus/ internal bus connector (X15)
11	Supply fan	22	4 position switch connector (X14)

4 Operation

4.1 Description

The appliance is supplied ready to use and starts up automatically to standard settings when plugged in. The discharged dirty indoor air warms up the supplied fresh clean outdoor air. That saves energy while fresh air is supplied to the desired rooms. The appliance has four ventilation levels. The air flow rate can be adjusted for each ventilation level. The constant volume control system ensures a balanced airflow between the supply and exhaust fan independent of the duct pressure. If no external control is connected to the appliance, then the appropriate ventilation level can be chosen on the display.

There are several options for external control :

- 4-way switch (→ [Connecting 4 position switch](#) -> page 37),
- Brink Touch Control (→ [Connecting Touch Control](#) -> page 39)
- CO₂ sensor(s) (→ [Connecting CO₂ sensor\(s\)](#) -> page 41)
- humidity sensor (→ [Connecting humidity sensor](#) -> page 40)
- Brink App

4.2 Bypass

The 100% bypass function ensures that all the extract air flows past instead of through the heat exchanger, so that cooler supply air is not heated. Particularly during summer nights it is desirable to supply cooler outside air. The bypass valve opens and closes automatically when a number of conditions are met (see table below for bypass conditions). Follow step numbers 2.1 to 2.6 in the settings menu in the user interface, (→ [Setting values standard appliance](#) -> page 49) in order to adjust the operation of the bypass valve.

Automatic bypass control strategy

Bypass valve open	<ul style="list-style-type: none"> ▪ The outdoor temperature is higher than 10°C, 50°F (adjustable between 7°C, 45°F and 15°C, 59°F at step no. 2.3) and ▪ the outdoor temperature is lower than the indoor temperature of the dwelling and ▪ the temperature from the dwelling is higher than 24°C, 75°F (adjustable between 15°C, 59°F and 35°C, 95°F at step no. 2.2)
Bypass valve closed	<ul style="list-style-type: none"> ▪ The outdoor temperature is lower than 10°C, 50°F (adjustable between 7°C, 45°F and 15°C, 59°F at step no. 2.3) or ▪ the outdoor temperature is higher than the indoor temperature of the dwelling or ▪ the temperature from the dwelling is lower than the set temperature at step no. 2.2 in the settings menu minus the set temperature at the hysteresis("deadband") (step no. 2.4).

Conversion table:

Every 1°C = 1.8°F difference

Celsius	Fahrenheit
7°C	45°F
10°C	50°F
15°C	59°F
24°C	75°F
35°C	95°F

The appliance features a 'Bypass boost' function. When activated (step 2.5), the appliance is set to the highest ventilation level as soon as the bypass opens. (adjustable at step no. 2.6).

4.3 Frost protection

The appliance features a frost protection mode.

Sensors measure the temperatures in the appliance, when required the preheater is activated.

If the unit detects extremely low outdoor temperatures this mode is activated. This is needed as the capacity of the preheater no longer suffices to avoid frost build up in heat-exchanger. The appliance will use an imbalance strategy in ventilation flows. It results in a proportionally larger flow of warm extract air, which assures that frost formation in the heat exchanger's core is prevented.

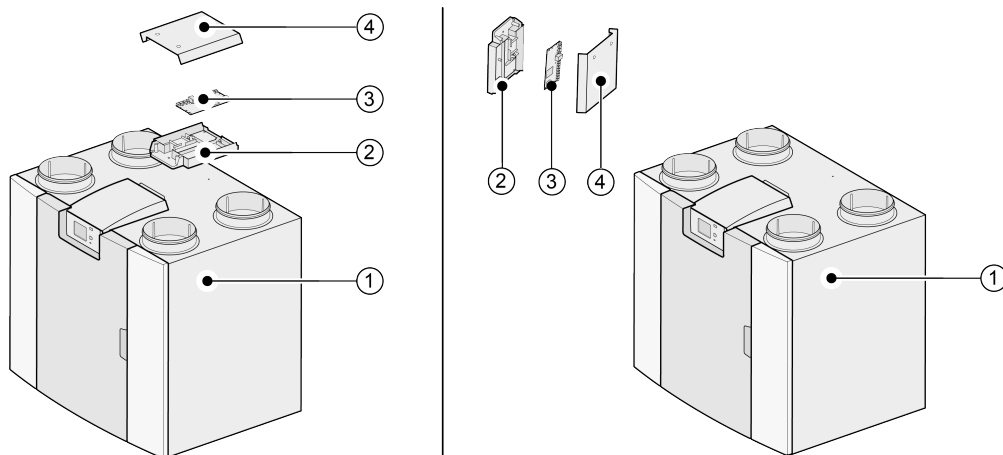
4.4 Optional Plus pcb

All standard appliances can be modified into a Plus version using the Plus pcb upgrade set.

The appliance equipped with this optional control board (Plus pcb) has extra connections for various applications, see → [Electrical diagram](#) -> page 35

This extra control board can be fitted behind the existing control board on top of the appliance.

It is also possible to mount the Plus pcb with its casing on a wall near the appliance; this can be helpful in circumstances such as a poor WiFi signal.



1 = For example a Flair 325 appliance with mounted Basic pcb

2 = Optional Plus pcb mounting plate

3 = Optional Plus pcb

4 = Optional Plus pcb cover

5 Installation

5.1 Installation general

Installing the appliance:

1. Placing the appliance (→ [Placing the appliance](#) -> page 13)
2. Connecting the P-trap and condensate discharge (→ [Connecting the condensate discharge](#) -> page 14)
3. Connecting the air ducts (→ [Connecting air ducts](#) -> page 15)
4. Electrical connections (→ [Electrical connections](#) -> page 17)

The installation and installing should meet the following requirements:

- IRC, IBC, NBC, ASHRAE or local ventilation code required for balanced heat recovery ventilation systems.
- Electrical installations to be done by a licensed electrician.
- Connections to indoor plumbing by a licensed plumber.
- Any additional regulations of the local utilities.
- The installation regulations for the Flair 325.
- In addition to the above design and installation requirements and recommendations, the national building and ventilation regulations must be respected.

5.2 Placing the appliance

The Flair 325 appliance can be mounted onto a wall with the supplied mounting bracket. For a vibration-free installation, the appliance must be mounted to a solid wall with a minimum mass of 170 kg/m^3 (16lbs/cf). A gypsum- or drywall will not be sufficient ! Additional measures such as double paneling or additional studs are required in such a case.

In addition, the following aspects must be taken into account:

- The appliance must be installed in an insulated frost-free area ($> 10 \text{ }^\circ\text{C}$, $> 45 \text{ }^\circ\text{F}$), in order to, for example, prevent freezing of the condensate discharge.
- The appliance must be placed level.
- The appliance must not be placed in a area with a high level of humidity (such as a bathroom).
- In order to prevent condensation on the outside of the appliance, the installation area must be ventilated.
- The Flair condensation should drain into a separate drain or condensate pump located below the appliance.
- Provide an air break (physical separation) between the condensate drain and receptor per local plumbing codes.
- Newly built houses with a lot of moisture from the construction work need to be ventilated in a natural manner before putting the appliance into use.
- Make sure there is a free space of at least 70 cm, 2.5 ft at the front of the appliance and a free headroom of 1.8 m, 6ft.
- Make sure there is a free space of at least 25 cm, 10" above the appliance, for connecting the appliance and any necessary servicing of the circuit board. The ambient temperature has to be between $+10 \text{ }^\circ\text{C}$ and $+40 \text{ }^\circ\text{C}$ ($45 \text{ }^\circ\text{F}$ and $104 \text{ }^\circ\text{F}$).

5.3 Connecting the condensate discharge

The condensate discharge line for the Flair 325 is located in the bottom panel. The condensate is discharged through the drainpipe. The P-trap (with built-in air vent) is supplied separately with the appliance and must be fitted by the installer below the appliance (bayonet connection). The P-trap has an external connection diameter of 32 mm, 1.25". The appliance's p-trap should drain, with an air break (physical separation) into the sewer system. The waste pipe should have an additional P-trap that keeps sewer gas out of the house/appliance. Make sure this P-trap remains filled with water at all times.

i Note

With the Flair 325 appliance as the left-hand version, the condensate discharge connection is located at the right side of the bottom panel and with the Flair 325 appliance as the right-hand version, the condensate discharge connection is located on the left of the bottom panel (→ [Connections and dimensions](#) -> page 8)

Never switch the two condensate discharge connections below the appliance!

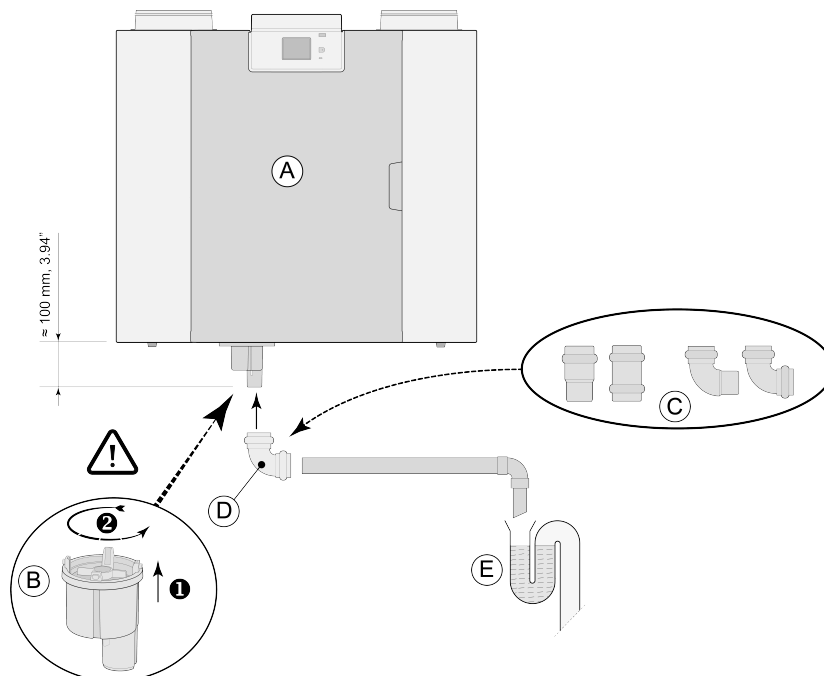
Never remove the sealing cap from the unused condensate discharge connection!

It is recommended to use a 32 mm connection with 1.25" slip joint and washer (not supplied with the appliance) so that the P-trap can be cleaned easily in the future.

i Note

During assembly always apply a lubricant, such as acid-free plumber silicone grease, to the rubber sealing ring in the gasket. This gasket connection has to be disconnected when servicing the appliance! The p-trap must not be glued to the condensate discharge line!

The P-trap can be connected, for example, with a straight or angled connection with gasket. Slide the condensate discharge connection with gasket with sufficient length across the connection of the P-trap.



A = Flair right-hand version

B = Fitting P-trap below in Flair appliance

C = Examples with condensate discharge connections with 1.25" slip joint

D = Detachable connection

E = Sewer pipe with P-trap

5.4 Connecting air ducts

All air ducts must be installed airtight. The collars on the Flair appliance are provided as standard with sealing rings.

In order to prevent condensation on the outside of the outdoor air supply duct and the air exhaust duct from the Flair appliance, the ducts have to be provided with an external vapor barrier as far as the appliance. If thermally insulated piping is used here, additional insulation is in general not necessary in climate zones 1-4.

For compliance with the maximum installation noise level of 30 dB(A), it will have to be assessed for every installation what measures will be required to limit the noise. In order to optimally dampen the noise of the fans from and to the dwelling through the duct, add sound attenuating measures (muffles, manifolds) but additional measures may be necessary.

Prevent crosstalk through the air supply and discharge ducts by using separate branches to the diffusers. If necessary, the supply ducts must be insulated, for instance when they are installed outside the insulated envelope.

The outdoor air supply should ideally be located in a protected side of the building. Preferably below an overhang, protected from prevailing winds and 10" away from plumbing vents.

Exhaust discharge should be located in such a way air flow in not restricted.

The exhaust duct between the Flair appliance and the roof terminal should be such that surface condensation is prevented.

Use an insulated ventilation roof sleeve that prevents (drifting) snow from being sucked in. On no account should you use a roof sleeve that opens directly above the roofing.

In order to reduce noise levels, it is recommended to restrict the external duct pressure to 100 Pa. If the resistance of the duct system is higher than the maximum curve of the fan, the maximum fan capacity will be lower.

The air speeds in the ducts must be limited to the following maximum values:

Type of ducts	Maximum Air Speed [m/s], [Ft/s]
Collective duct	5 m/s, 16 ft/s
Main duct	4 m/s, 13 ft/s
Duct branch: supply	3 m/s, 10 ft/s
Duct branch: outlet	3,5 m/s, 11.5 ft/s

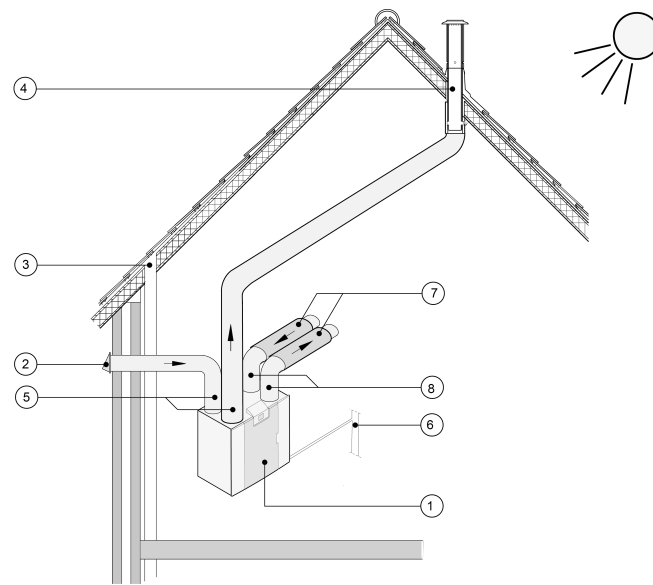
The location of the Exhaust air outlet and the sewer stack vent must be chosen to prevent noise nuisance.

The location of the supply valves must be chosen in such a way to prevent fouling and drafts. We recommend using Brink supply valves.

Ensure that air can flow from supply to exhaust diffusers, by means of undercut doors (minimum gap 2cm, 3/4") or air transfer grilles between rooms.

Note

When installing and maintaining the unit (see → [Maintenance installer](#) -> page 31), check that no dust or dirt has accumulated on the preheater! Clean the preheater well during maintenance.

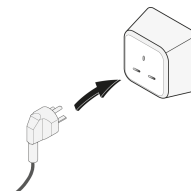


- 1 = Flair appliance right-hand version (place level)
- 2 = Preferred location outdoor air inlet
- 3 = Sewer vent
- 4 = Preferred location Exhaust air outlet; Use Brink insulated ventilation roof terminal
- 5 = Thermally insulated ducts
- 6 = Condensate discharge
- 7 = Silencers
- 8 = Supply air and extract air ducts

5.5 Electrical connections

5.5.1 Connecting the power plug

Plug the power supply cord connector of the Flair appliance into an easily accessible, NEMA 6-15 outlet.



Danger

Disconnect the power supply when working on the appliance.

5.5.2 Connecting the 4 position switch

The 4 position switch (optional and not supplied with the appliance) is connected with an RJ12 connector to X14 which is located on the rear of the display cap of the appliance. For wiring diagram of the 4 position switch (→ [Connecting 4 position switch](#) -> page 37). A combination of 4 position switches is also possible (→ [Connecting extra 4 position switch with filter indication](#) -> page 38).

The 4-position switch can be used to activate a 30-minutes boost mode by holding the switch in setting 3 for less than 2 seconds and directly turning it back to setting 1 or 2. The boost mode can be reset by holding the switch in setting 3 for longer than 2 seconds or by switching it to absence mode.

5.5.3 Connecting an eBus accessory



Warning

This connector is polarity sensitive. The connection will not work if the wires are connected to the wrong screw terminals!

For connecting an eBus accessory, use the 2-pole detachable (green) connector X17 located at the rear of PCB. The eBus protocol can be used to connect:

- Brink Air Control (→).
- Brink Touch Control (→ [Connecting Touch Control](#) -> page 39)
- CO₂ sensor(s) (→ [Connecting CO₂ sensor\(s\)](#) -> page 41)
- Extra eBus preheater (→ [Connecting preheater](#) -> page 44)
- Extra postheater (→ [Connecting postheater](#) -> page 43)
- Demand driven ventilation 2.0 (→ [Demand-controlled ventilation 2.0](#) -> page 41)

5.5.4 24 volt connection



Warning

The maximum power from X16 and X18 is 5 VA per output.

The two (2) black connectors X16 and X18 are used to power 24V accessories. These connectors are located at the back of the PCB on top of the appliance.

5.5.5 Humidity sensor connection

An optional humidity sensor needs to be connected to connection X07 on the appliance main pcb. In order to connect the humidity sensor to the appliance, the pcb cover has to be removed to access the X07 connection on the pcb.

Use the cable supplied with the humidity sensor.

For connecting the humidity sensor, see → [Connecting humidity sensor](#) -> page 40 .

5.5.6 Connecting BrinkBus

The (red) Modbus/ BrinkBus connector X15 can be used for coupling appliances (→ [Coupling appliances using internal Bus](#) -> page 19).

The function of this connector can be adjusted using step number 14.1 to 14.4 in the settings menu.

If the appliance is fitted with a (Plus) pcb, then this red connector X15 is also in use for connecting the (Plus) pcb; several cables then have to be connected onto connector X15.

5.5.7 Signal output connection

The blue X19 Connector is used to indicate a filter message, fault message or fire automation.

This connector is located at the back of the PCB on top of the appliance.

The operation of this function is set by parameter 16.1, see → [Settings](#) -> page 49 .

According to the setting connection X19 will act as a potential free contact.

5.5.8 ModBus connection

Note

If the ModBus option is connected and active, the ventilation setting cannot be changed through the display or, if applicable, the connected multi-position switch. Also any connected humidity sensor(s) will not work.

The appliance can be connected with a ModBus system such as a building management system.

Using the (red) 3-pin connector X15 (or with the (Plus) version the red connector X06 on the UWA2-E pcb) a connection can be made between the appliance and the ModBus system.

See → [Electrical diagram](#) -> page 35 for correct connections and correct settings of the jumpers on the PCB.

For more information and the correct modBus settings, please consult the Modbus manual on the website.

5.5.9 Coupling appliances using internal Bus



Note

Because of polarity sensitivity, always connect the internal Bus contacts X15-1 with one another, and the contacts X15-2 and the contacts X15-3 with one another. Never connect X15-1, X15-2 or X15-3 with one another



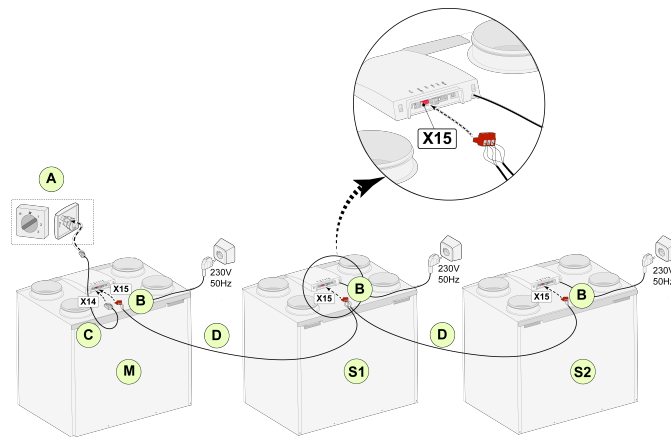
Note

If a (Plus) pcb has been installed; several cables would have to be connected onto the X-15 connector.



Note

When the total length of the internal Bus cables is longer than 10 m (33 feet), use a twistedpair cable for connection X15-2 & X15-3 (a twisted pair cable is also preferred with shorter lengths)!



For M (Primary):

Step no. 8.1 - Primary

Step no. 14.1 - internal Bus

A = 4 position switch

B = 3-pole connector red

C = Modular cable

D = 18-3 low voltage cable

M = Primary appliance (For example a Flair appliance type 4-0)

S1/S2 = Secondary appliances (For example a Flair appliance type 4-0); connect max. of 10 appliances via internal Bus.

For S1 (Responder 1):

Step no. 8.1 - Secondary

Step no. 14.1 - internal Bus

For S2 (Responder 2):

Step no. 8.1 - Secondary

Step no. 14.1 - internal Bus

All Flair 325 appliances have the same air flow rate as the appliance that is set as "Primary".

The fault messages of all appliances are shown on the display of the Primary appliance and shown on the display of the relevant appliance.

When using a Brink Touch Control or the BrinkHome, always connect this to the Primary.

After connecting the cables configure each Flair 325 appliance:

- Enable "internalBus" in menu 14.1 "Type of Bus connection" where shortly after the network symbol appears.
- Configure each repeater unit in menu 8.1 "Appliance setting repeater 1, repeater 2 etc where shortly after the M symbol appears on the Primary appliance and S1, S2 symbol on repeater appliances
- Power down and up all appliances.



Note

Any accessory such as moisture sensor, position switch, extension board or any eBus device must be connected to the Flair 325 Primary appliance only.

6 Display

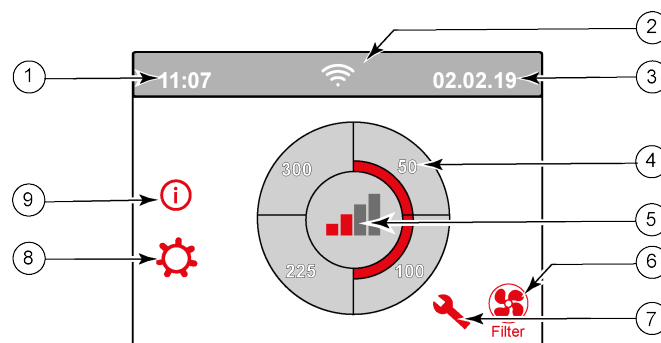
6.1 General explanation of control panel

A display with touchscreen is located at the front of the appliance. This display is used to operate the appliance and to provide the user with information about the status of the appliance. When the appliance is turned on, the display briefly shows the software version on start up; afterwards the "Main screen" is displayed (see below).

The factory set language of the menu is English.

The desired language/ date & time can be modified in the settings menu, see step number 15.1 to 15.10 in the settings table (→ [Settings](#) -> page 49)

Main screen



1 = Current time

2 = Connectivity (only displayed if applicable)

3 = Current date

4 = Set ventilation flow rate; the red bars indicate the selected ventilation flow rate.

In this example the active ventilation flow rate is 100 m³/h, 59CFM.

5 = Mode

6 = Filter message (only displayed if applicable)*

7 = Fault (only displayed if applicable)*

8 = Access to settings menu

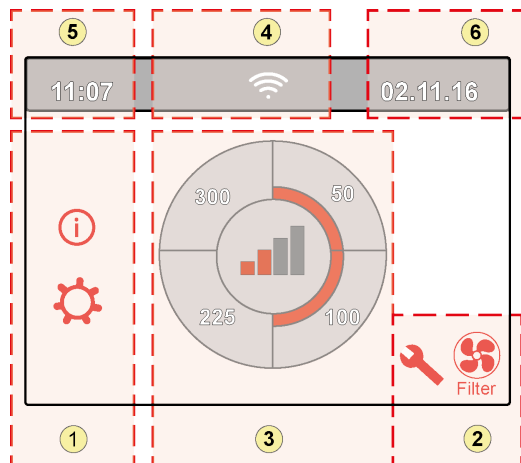
9 = Access to information menu

* Filter message and fault message are located in the same place on the display; fault display has a higher priority, and so will always be shown first even when there is an active filter message!

6.2 Display layout

The screen is divided up into 6 zones where various symbols/displays can be shown per zone.






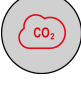

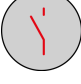
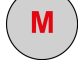
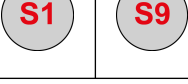

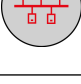

Layout of main screen



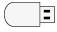


- 1 = Navigation
- 2 = Notifications
- 3 = Main functions
- 4 = Connectivity information
- 5 = Time
- 6 = Date

Various symbols can be shown on the display depending on the screen that is shown, the version of the appliance and any connected accessories.

Zone no.	Symbol on display	Description
1		By pressing here you gain access to the information menu; values shown here are read only. It is not possible to change values in this menu.
		By pressing here you gain access to the settings menu. In this menu you can change the various values. Settings can be changed in this menu for all (factory) settings: - Standard appliance (→). - The (Plus) version setting values (→ Setting values appliance with (Plus) pcb -> page 52). Caution: Incorrect settings can disrupt the operation of the appliance!
		Use these arrows to go up or down the various menus or to increase or decrease the values of the relevant settings.
		This arrow takes you back one step in the menu.
		This takes you back to the main screen.
2	 Filter	Filter message symbol; this is only shown if the filter has to be cleaned or replaced. See chapter "Cleaning filter" (→ Cleaning filters -> page 30) for more information.
		This symbol is shown if a fault has occurred in the appliance; see chapter Faults (Storingsanalyse) for more information.

Zone no.	Symbol on display	Description
3		Control using multiple position switch.
		Control by means of Brink Home.
		Control using touchscreen on appliance; this setting is active for half an hour.
		Control using touchscreen on appliance; touchscreen is permanently set as multiple position switch by setting step number 15.8 to "yes".
		Control using humidity sensor.
		Control using CO ₂ sensor.
		Control using demand-driven ventilation.
		Break contact active or make contact active.
		This appliance is set as Primary appliance if a number of appliances are connected (cascade)
		Appliance is set as secondary appliance; a maximum of 9 appliances can be connected to a Primary appliance.
		Control via eBus for example Brink Touch Control .
		Control via ModBus or internal Bus.
		Bypass boost is active.

Zone no.	Symbol on display	Description
4		Internet connection/Network connection
		Signal strength
		USB connection active.
5	11:07	Current set time of the device.
6	02.01.2020	Current date.

6.3 Display information



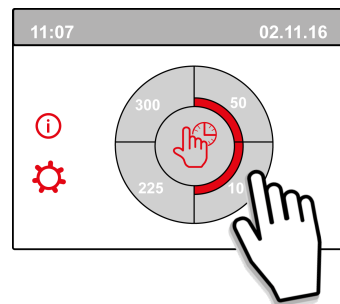
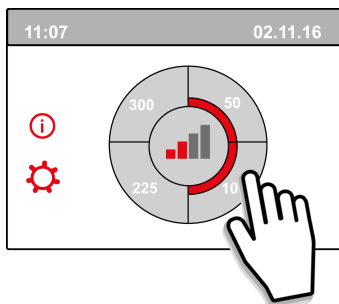
Warning

Incorrect settings can seriously disrupt the proper functioning of the appliance!

- When no keys are operated or when no deviating situation has developed (such as fault message or filter message) the display light will switch off two minutes after the last key has been operated.
- When there is a filter message or a fault in the appliance, the display light will be on permanently until the fault has been solved or the filters have been cleaned or replaced and the filter message has been reset.
- Pressing the Home button brings you back to the main screen from any particular menu.
- Pressing the return button takes you back 1 step in the menu.
- Briefly press the display (shorter than 5 seconds) to switch on the display light without changing anything in the menu; the display lights up for 2 minutes.
- The display can be set as 'manual' switch by setting step number 15.8 to " yes"

The ventilation mode can be adjusted by pressing the corresponding quarters on the display.

- If the display is not set as the "manual" 4 position switch; the ventilation will only boost (flow 2 or 3) for 30 minutes - after which it will go back to it's prior flow (flow 1 or 0).
- If the display is set as "manual" 4 position switch; The appliance will keep running in the selected mode until another mode is chosen.



7 Setting to work

7.1 Turning the appliance on and off



Danger

Disconnect the power supply when working on the appliance.

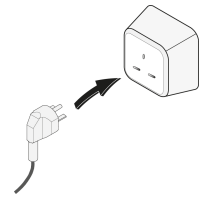


Note

If the appliance has been without power for more than approx. 1 week, language, time and date in setting menu has to be set again.

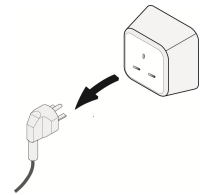
Turning on the appliance:

1. Connect the 230 V. power plug to a (powered) wall socket.
2. Display lights up and the software version is shown in display.
3. The appliance will then operate immediately after this, according to the setting of the multi-position switch. If no multi-position switch is connected then the appliance operates always in mode 1.



Turning off the appliance:

1. Disconnect the appliance's 230V power plug from the wall socket; there is no power on the unit anymore
2. The display is off and not showing anything.



7.2 Setting the air flow

Proper ventilation and correct functioning of the installation contributes to a healthy indoor environment with optimal comfort.

The (4 possible) air flow settings have been factory set as follows: 50, 100, 150 and 250 m³/h, (29, 59, 89 and 148 CFM).

The performance and energy consumption of the appliance depends on the pressure drop in the ducting system, and on the filter resistance. If conditions are not complied with, the air flow rate of the higher mode will automatically be adjusted.

Changes can be carried out in the settings menu.

To adjust the air flow settings; see settings menu step number 1.1 to 1.4.



Note

The highest demanded ventilation mode has priority. If the external multi-position switch is set to mode 3, then the ventilation mode cannot be adjusted to a lower mode on the main screen.

An exception to this is ventilator mode 0. If mode 0 is chosen on the display: control from other switches, sensors, etc. is not possible.

For connected CO₂ sensors the air flow will be steplessly controlled between mode 1 and 3 depending on the measured PPM values: for a connected humidity sensor the air flow will be switched to mode 3 when this is needed.

7.3 Other settings for installer

In addition to the air flow, it is also possible to change other settings of the appliance; for an overview of the settings of a standard appliance (→ [Settings](#) -> page 49) and appliance with (Plus) pcb (→ [Setting values appliance with \(Plus\) pcb](#) -> page 52).

Changes can be carried out in the settings menu.



Warning

Incorrect settings affect the performance of the appliance.

Changes of settings not described in this manual require consultation with Brink Climate Systems B.V.

7.4 Factory settings



Note

A factory reset does not reset the filter message.

It is possible to reset the appliance back to factory settings, with this action all step numbers will be reset back to factory settings and all messages and fault codes will be deleted from the service menu.

Return to factory settings:

1. Open the settings menu.
2. Scroll down to and select appliance settings → menu 15
3. Scroll down to and select factory reset → menu 9
4. Select "yes" and confirm by pressing back.



Note

After resetting to the factory setting, step number 14.1 must be reset to internal Bus in the settings menu!



Note

Resetting the Flair 600 device to factory settings means that the additional circuit board must be reconnected to the basic device.

8 Fault

8.1 Fault analysis

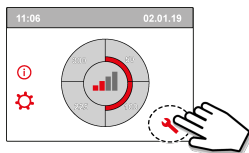
When the appliance's control system detects a fault, this will be indicated on the display by a spanner symbol, possibly also with a fault number.

The appliance makes a distinction between a fault at which the appliance keeps running (limitedly) and a serious (locking) fault for which both fans are switched off.

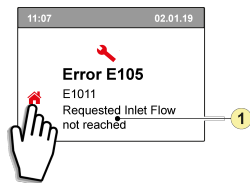
8.2 Display Codes

Non-locking fault

When the appliance detects a non-locking fault, it will keep running (limitedly). The (permanently lighted) display shows the fault symbol. Press the fault symbol for an explanation/ solution to the fault.



The screen can be left by pressing the "Home" button.
If a fault cannot be solved, please contact the installer.

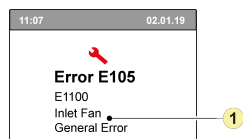


1. Requested supply flow rate not reached

Locking fault

When a locking fault is detected the appliance will switch off. The settings and information menu's will also be switched off.

The (permanently lighted) display shows the fault symbol (spanner) together with a relevant fault code. The red LED on the 4 position switch (if applicable) will start flashing. The appliance remains in this fault mode until the fault is resolved. After resolving the fault the appliance will reset itself (Auto reset) and start up again; the display will be showing the situation again. Contact the installer when a locking fault occurs.



1. Supply fan defective



Note

A locking fault will not be resolved by resetting the power supply of the appliance; first the fault has to be solved.

**Danger**

Disconnect the power supply before working on the internals or on the PCB of the appliance.

In the table below the locking faults are marked with a * after the fault number.

The display shows a brief explanation of this fault code.

If there is reference to the "Standby" mode of the appliance, then both fans are shut down but there is still something shown on the display of the appliance.

Fault code	Sub code	Cause	Appliance action	User action
E190	E1000	Self-test not good	No action	
E152 *	E1001 *	Flash memory faulty	Stop appliance if possible	Replace basic pcb UWA2-B
E153	E1002	EEPROM memory defective	Appliance goes to factory setting; fan setting 2	Replace basic pcb UWA2-B
E105	E1011	Requested supply flow rate is not achieved	None	Clean or replace filters Check that ducts are not blocked
E104	E1012	Requested exhaust flow rate is not achieved	None	Clean or replace filters Check that ducts are not blocked
E000 *	E1013 *	Temperature of outside air too high	Appliance goes to standby	Depending on the situation: In the event of warm weather and a supply directly below the tiles, wait until the air has cooled or install a roof sleeve instead of duct under the tiles In the event of cold weather or when there is no air from below the tiles, take the voltage from the appliance and replace air temperature sensor (NTC)
E105 *	E1100 *	Supply fan defective; general message	Appliance goes to standby	Replace supply fan Fault is reset automatically when voltage is put back on appliance.
E104 *	E1120 *	Exhaust fan defective; general fault message	Appliance goes to standby	Replace exhaust fan Fault is reset automatically when voltage is put back on appliance.
E103	E1200	Bypass defective; general fault message	None	Check wiring Replace bypass or wiring harness
E106 *	E1300 *	Sensor NTC1 defective; general fault	Appliance goes to standby	Check wiring Replace NTC sensor or replace wiring
E111	E1400	RHT sensor 1 defective; general message/ USB transceiver removed	No humidity control	Check wiring Replace RHT sensor or replace wiring/ Insert USB transceiver
E113	E1600	Internal preheater defective; general fault message	Frost protection goes to imbalance mode	Check fuses Check wiring; replace if damaged and replace otherwise the internal preheater Fault is reset automatically when the voltage is put back on the appliance.
E114	E1500	4 position switch defective; general fault	Appliance goes to mode 1	Replace 4 position switch
E130	E1800	Relay output 1 defective; general fault	Signal output not available	Disconnect power plug Replace UWA2-B pcb Fault is automatically reset when voltage is again put back on appliance..
E155	E2000	Touchscreen fault; general fault message	Fault codes only visible when using service tool	Check wiring to touchscreen; replace wiring if damaged; replace touchscreen if fault still occurs replace UWA2-B Fault is automatically reset when voltage is again put back on appliance..

Fault code	Sub code	Cause	Appliance action	User action
E120	E2100	EBus fault; general fault message	Brink Air Control and other accessories connected to eBus do not work. Appliance is working	Check wiring to accessories/ Brink Air Control Check accessories/Brink Air Control and replace if defective If there is still a fault after this: Take voltage from appliance and replace basic pcb UWA2-B
E121	E2200	internal Bus general fault message	Brink Air Control and other accessories do not work. Appliance is working	Check wiring to accessories/ Brink Air Control Check accessories/ Brink Air Control and replace if defective If there is still a fault after this: Take voltage from appliance and replace basic pcb UWA2-B
E122	E2300	Internal ModBus fault; general fault message	Appliance goes to standby	Check wiring and connections to UWA2-B and the fans Replace cable harness if damaged; Then exchange UWA2B, exhaust fan and supply fan
E123	E2400	External ModBus fault; general fault message	Operation via Modbus does not work	Check cabling of accessories; replace if damaged Check accessories; replace if defective If fault still occurs: Take voltage from appliance and replace UWA2-B basic pcb
E124	E2500	USB port general fault message	USB interface not usable	Replace USB accessory If the fault is not remedied after this: take the voltage from the appliance and replace UWA2-B basic pcb
E170	E2600	One or more CO ₂ sensor(en) defective; general fault message/ USB transceiver removed	Appliance is working; no CO ₂ regulation	Check cabling and CO ₂ sensor(s); replace if damaged Check CO ₂ sensor(s); replace if defective/ Insert USB transceiver
E171	E2700	External preheater or fuse defective; general fault message	No preheater / comfort control responds differently	Disconnect preheater and check preheater fuse; replace fuse if defective If fault does not clear: Replace external preheater Put voltage back on appliance Fault has automatically been reset
E172	E2800	External postheater or fuse defective; general fault message	No postheater / comfort control responds differently	Disconnect postheater and check postheater fuse; replace fuse if defective If fault does not clear: Replace external postheater Put voltage back on appliance Fault has automatically been reset

9 Maintenance

9.1 Cleaning filters

The required maintenance of the appliance to be carried out by the user is limited to periodic cleaning and replacing the filters.

Filters need to be cleaned when the filter symbol is indicated on the appliance's display or when the red LED on the Multi-position switch (if installed) is on.

The filters should be replaced every half year.

Filters can be vacuumed once, when filter light comes on a second time, the filters should be replaced.



Warning

Never switch on the appliance without filters!



Note

The filter wizard cannot be interrupted.

Cleaning and replacing filters when the filter message is active:

- Press and hold the filter symbol on the appliances display for longer than 3 seconds to open the filter wizard.
- Follow the instructions on the display to clean and/or replace the filters.
- Close the filter wizard by pressing the "Home" button when all the instructions on the menu have been followed and confirmed.
- The display returns to the main screen; the filter message is reset and the filter message disappears.

Cleaning and replacing filters when the filter message is not active:

- Go to step number 4.2 in the settings menu to manually start the filter wizard and follow the instructions.

Direct reset of Filter message timer:

- Go to step number 4.3 in the settings menu to reset the filter timer directly without opening the filter wizard.

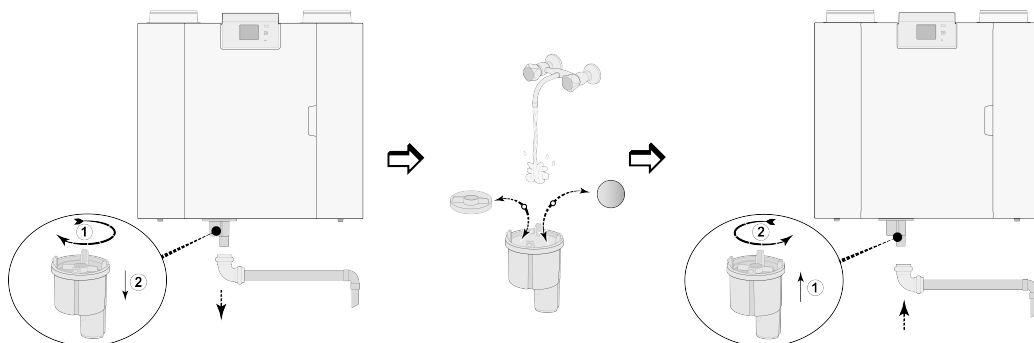
9.2 Maintenance P-trap



Danger

Disconnect the power supply when working on the appliance.

The P-trap must be removed, cleaned and reinstalled at least once a year.

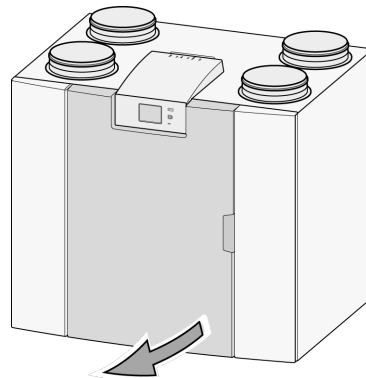
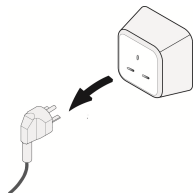


(For example a Flair appliance type 4-0).

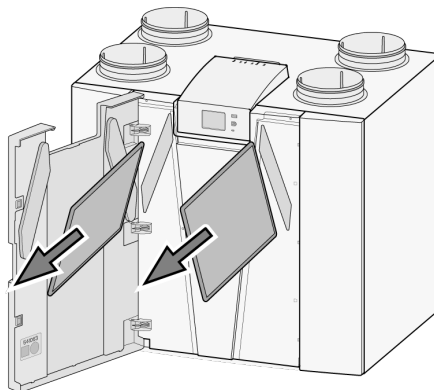
9.3 Maintenance installer

Installer maintenance includes cleaning the heat exchanger, internal preheater and fans. Depending on the conditions, this must be done about once every three years.

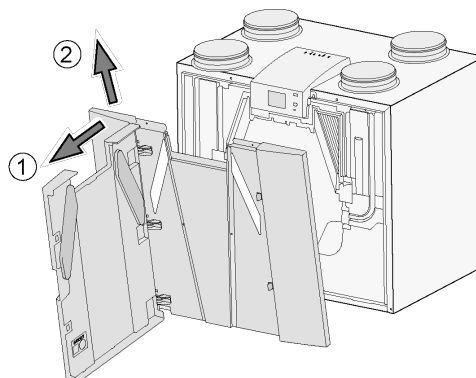
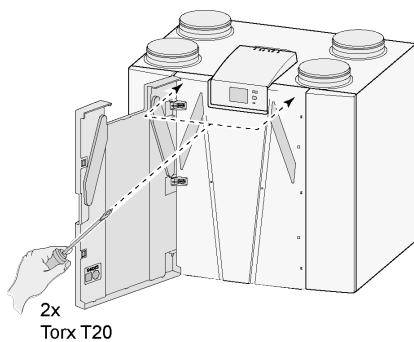
- 1 Remove the power supply by pulling out the plug.
Open the filter door.



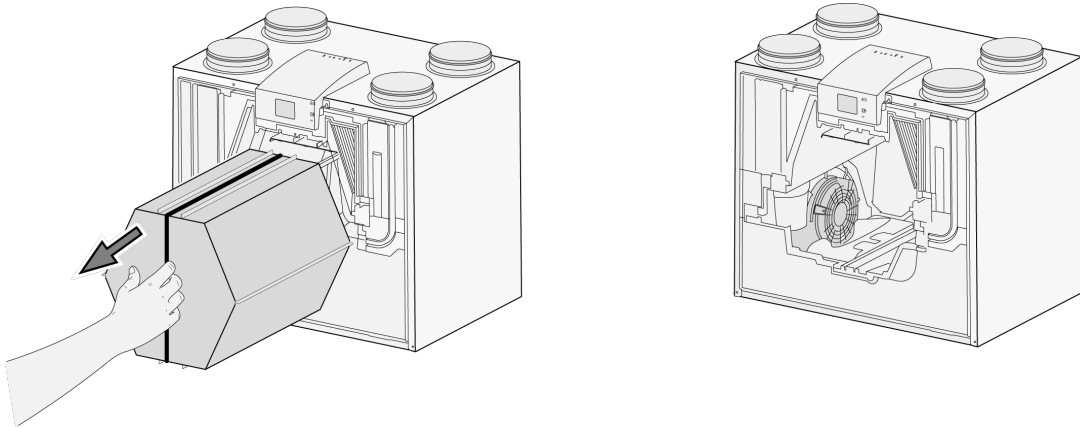
- 2 Remove the two filters.



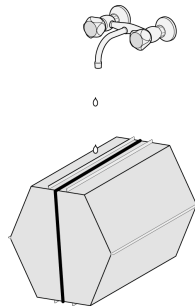
- 3 Remove the front cover.



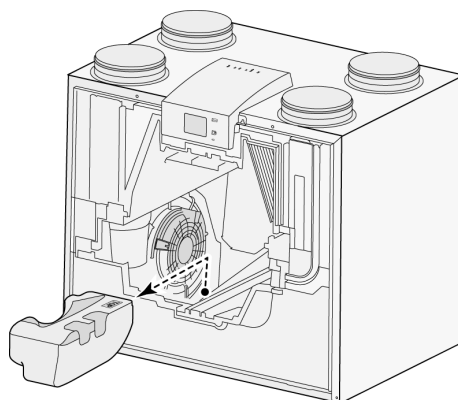
- 4 Remove the heat exchanger. Be careful not to damage the EPS parts in the appliance.



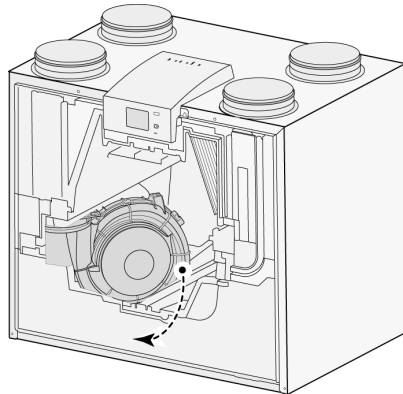
- 5 Clean the heat exchanger only by rinsing it with warm water (max. 45°C) and common detergent. Then rinse with warm water.



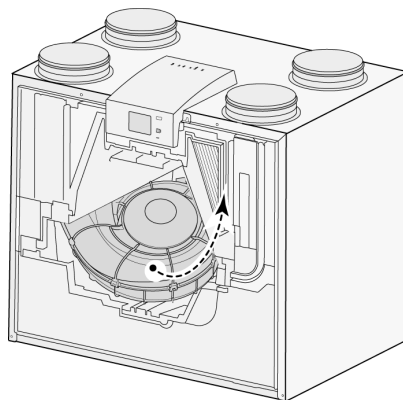
- 6 Take EPS assembly, with which the fan is inserted into the appliance, out of the appliance.



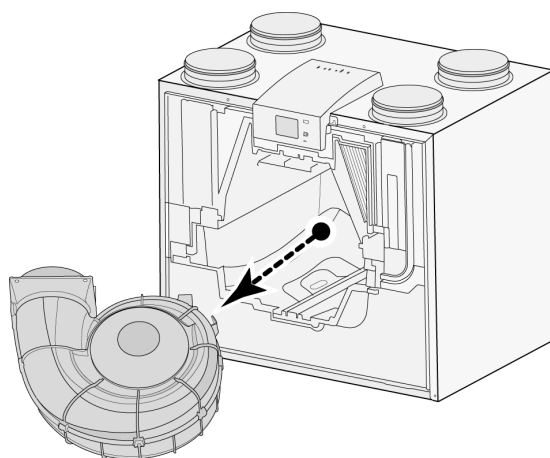
- 7 Note the routing of the fan cables before removing parts.
Rotate the fan as indicated below.



- 8 Tilt and remove the fan partly out of the appliance, disconnect both fan cables.



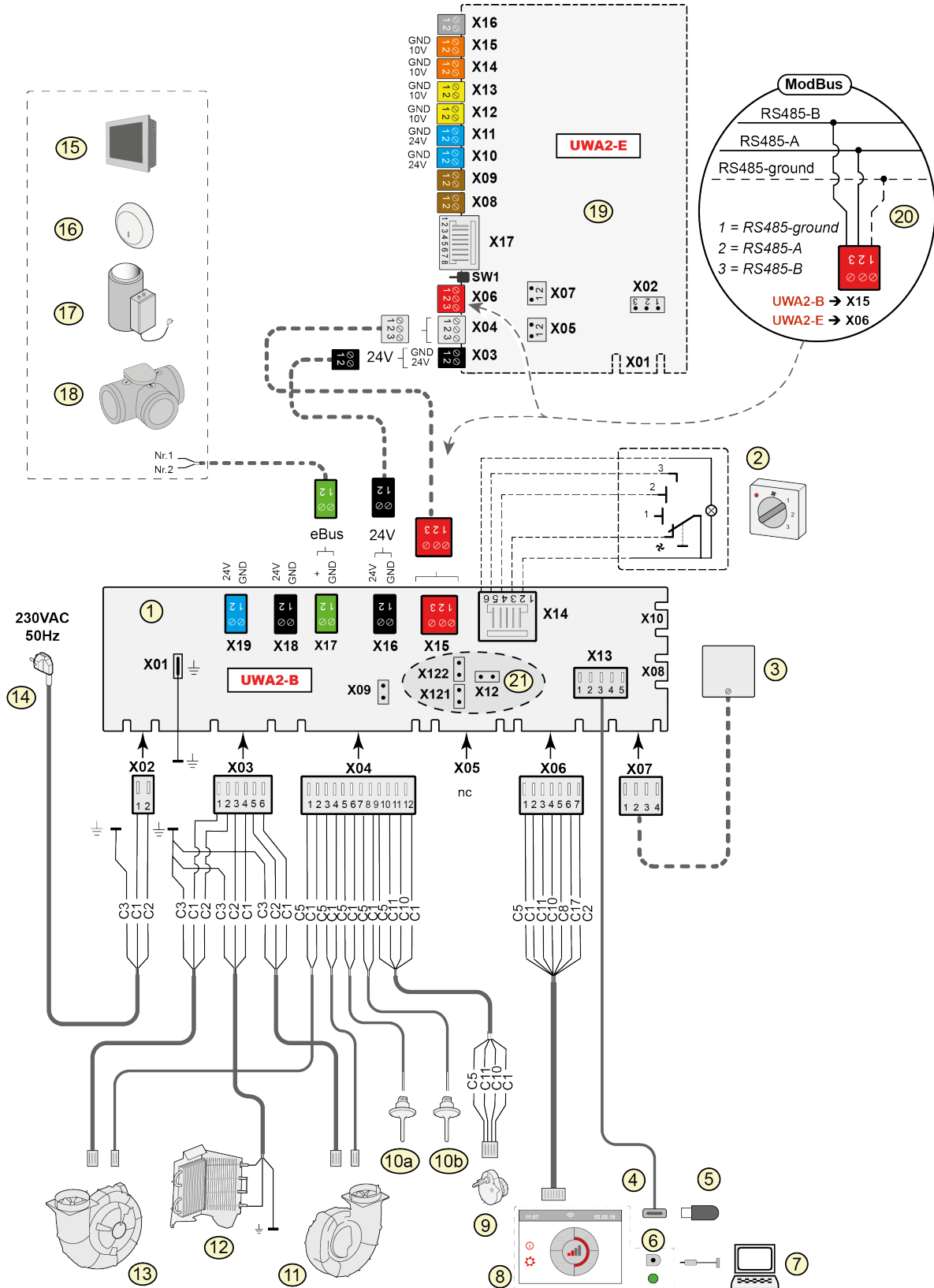
- 9 Take the fan out of the appliance.



- 10 Repeat steps 6 to 9 for the other fan in the appliance.

- 11 Carefully clean both fans with a soft brush; do not use any water or cleaning agent.
- 12 Clean the internal preheater (for position see → [Service articles](#) -> page 47).
- 13 Place both fans back in the appliance and connect the disconnected fan cables once more; when doing so, take care that the fan cables are “behind” the fans and that the fans are returned to their original position. The left fan is indicated by "Left"; the right fans is indicted by "Right".
Comment: Do not change the position of the fans!!
- 14 Slide the cleaned heat exchanger carefully back into the appliance.
Damages to EPS parts and heat exchanger rails could lead to internal leaks in the appliance.
The heat exchanger is correctly installed when the type plate is visible en the text is not upside down.
- 15 Put the front cover back on; install the screws and tighten them.
- 16 Install two new filters and close the front cover.
- 17 Reconnect the 230V power supply to the appliance.
- 18 Reset the timer of the filter message by setting to zero in the settings menu at step number 4.3.
- 19 After resetting the timer of the filter message the appliance returns to the main menu and the appliance is ready for use.

10 Electrical diagram



- 1 = Basic pcb
- 2 = 4 position switch (option)
- 3 = Humidity sensor (option)
- 4 = USB connector
- 5 = USB stick for updating software (not supplied with appliance)
- 6 = Service connector
- 7 = Laptop with installed Brink service tool (not supplied)
- 8 = Touchscreen on appliance
- 9 = Valve motor bypass valve
- 10a = Air temperature sensor NTC1
- 10b = Air temperature sensor NTC2
- 11 = Exhaust fan*
- 12 = Internal preheater incl. maximum security
- 13 = Supply fan*
- 14 = Power supply 230V 50Hz
- 15 = Brink Touch Control (option)
- 16 = CO₂ sensor eBus (option)
- 17 = Heater eBus (option)
- 18 = Zone valve demand-controlled ventilation 2.0 (option)
- 19 = (Plus) pcb (option)
- 20 = Connection on ModBus system (option)
- 21 = X12 is Jumper terminating resistance (120 W) ModBus (remove if terminating resistance has already been placed in ModBus system). With Modbus application remove the jumpers X121 & X122; when using internal Bus place the jumpers X12, X121 & X122; remove Jumper X07 from (Plus) pcb when a (Plus) pcb is applied.

* The control cables of the fans can be switched with no problem; when the power is switched on the appliance determines itself which is the supply and exhaust fan!
 When the appliance detects another fan (for example when a fan is replaced during service activities), then a “wizard” starts up automatically; follow the instructions on the display for the correct connection of the fan cables.
The position of the fans in this diagram is for illustration purposes only. Installation position depends on the type of appliance.

Basic pcb

- X15 = internal Bus/ModBus
- X16 = 24V
- x17 = eBus
- X18 = 24V (max 5VA)
- X19 = Signal output

(Plus) pcb

- X03 = 24V
- X04 = internal Bus
- X06 = ModBus
- X08 = Contact input 1
- X09 = Contact input 2
- X10 = Relais output 1
- X11 = Relais output 2
- X12 = Analog input (0 to 10 V)
- X13 = Analog input (0 to 10 V)
- X14 = Analog output (0 or 10 V)
- X15 = Analog output 2 (0 or 10 V)
- X16 = NTC 10K
- X17 = LAN

Wire colours

- C1 = brown
- C2 = blue
- C3 = green/yellow
- C5 = white
- C8 = grey
- C10 = yellow
- C11 = green
- C17 = purple



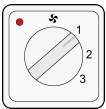
Danger

When installing and maintaining the appliance (see → [Maintenance installer](#) -> page 31), check that no dust or dirt has accumulated on the preheater! Clean well during maintenance.

11 Electrical connections accessories

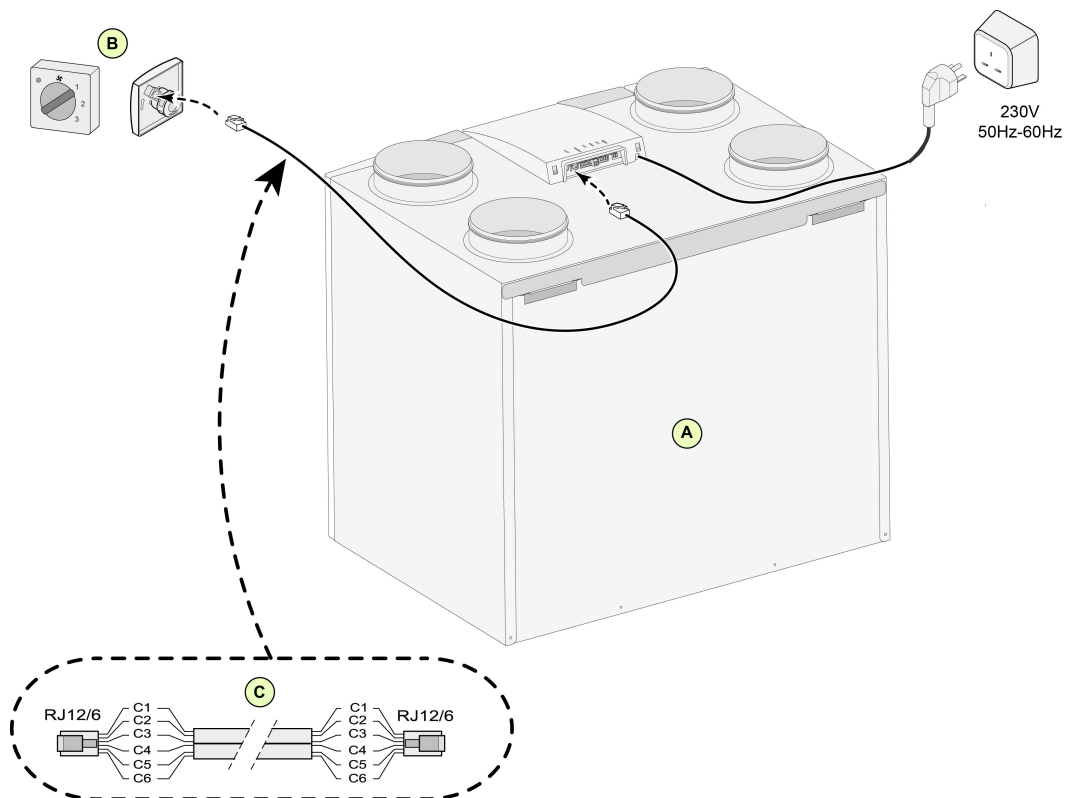
11.1 Connecting 4 position switch

A 4 position switch must be connected to the modular connector type X14 on the basic PCB. This modular connector X14 is accessible from the rear of the control. With an appliance with (Plus) pcb the cover first has to be removed in order to gain access to this modular connector (→ [Optional Plus pcb](#) -> page 12).



To wire a 4 position switch with filter indication, use an RJ12 connector/ wire (6 wires).

11.1.1 Connecting 4 position switch with filter indication

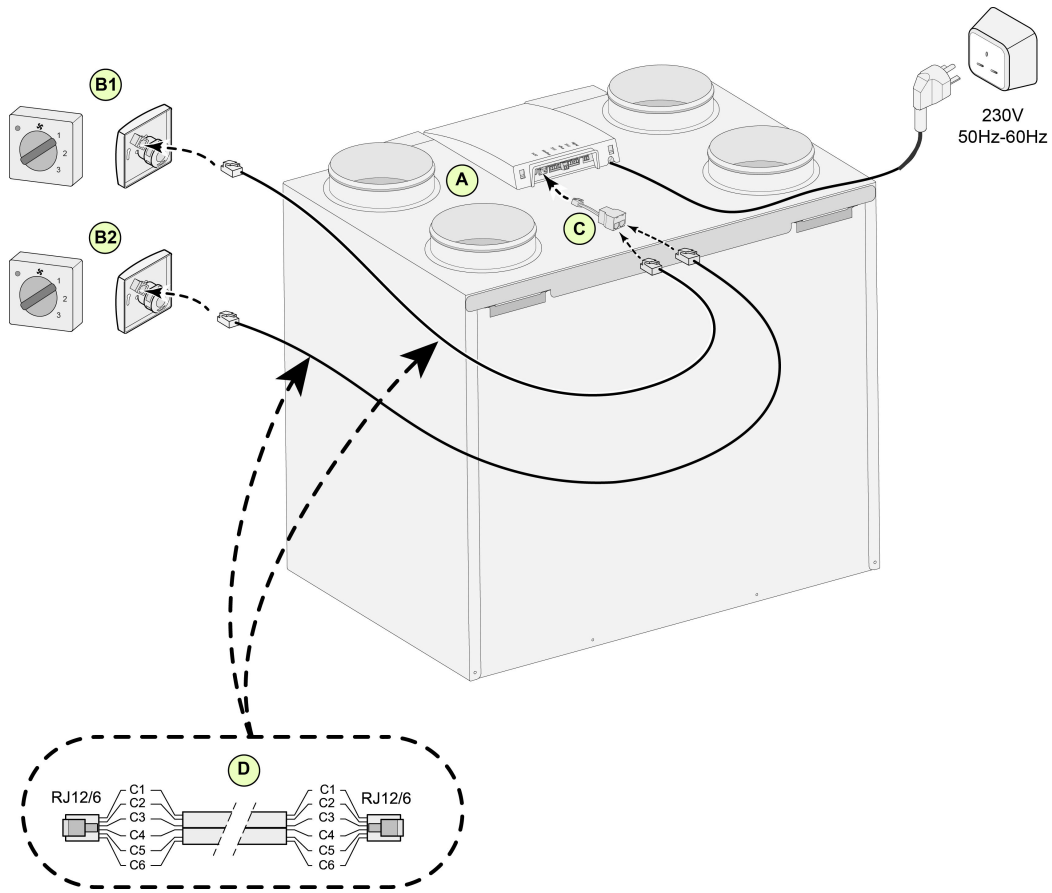


A = Flair appliance (For example a Flair-325 appliance type 4/0)

B = 4-position switch with filter indication

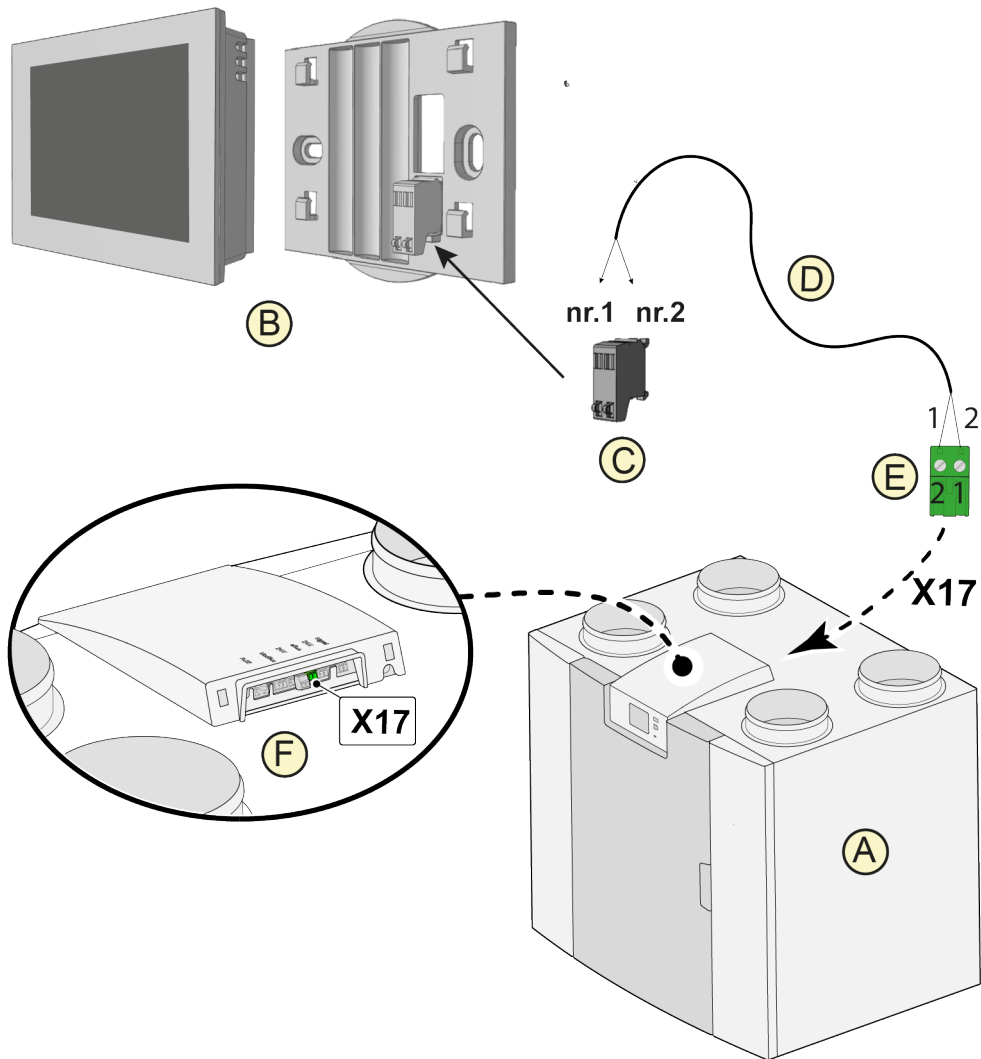
C = Modular cable: Note: For the modular cable that is used, the “tab” of both modular connectors must be mounted facing the mark on the modular cable. Wire colors C1 - C6 may vary dependent on the type of modular cable used.

11.1.2 Connecting extra 4 position switch with filter indication



- A = Flair appliance (For example a Flair-325 appliance type 4/0)
- B1 = 4 position switch with filter indication
- B2 = Extra 4 position switch with filter indication
- C = Splitter
- D = Modular cable: Note: For the modular cable that is used, the “tab” of both modular connectors must be mounted facing the mark on the modular cable. Wire colors C1 - C6 may vary dependent on the type of modular cable used.

11.2 Connecting Touch Control



A = Flair appliance

B = Touch Control (optional)

C = Touch Control connector

D = 18-2 wire cables

E = Green two-pole screw connector

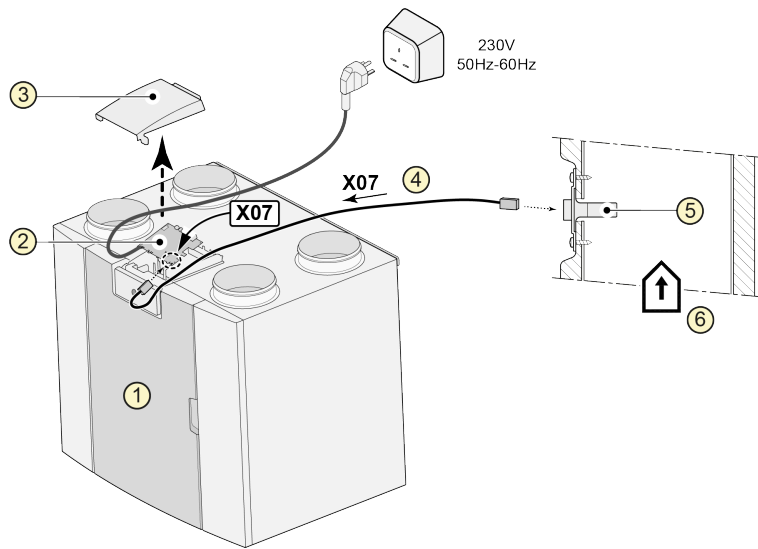
F = Position of green eBus socket at rear of appliance PCB



Warning

The combined use of the accessories: Touch Control, additional preheater and postheater is not possible due to the voltage limit of the eBus system.

11.3 Connecting humidity sensor



1 = Flair appliance (For example a Flair appliance type 4-0)


2 = Basis pcb

3 = Cover

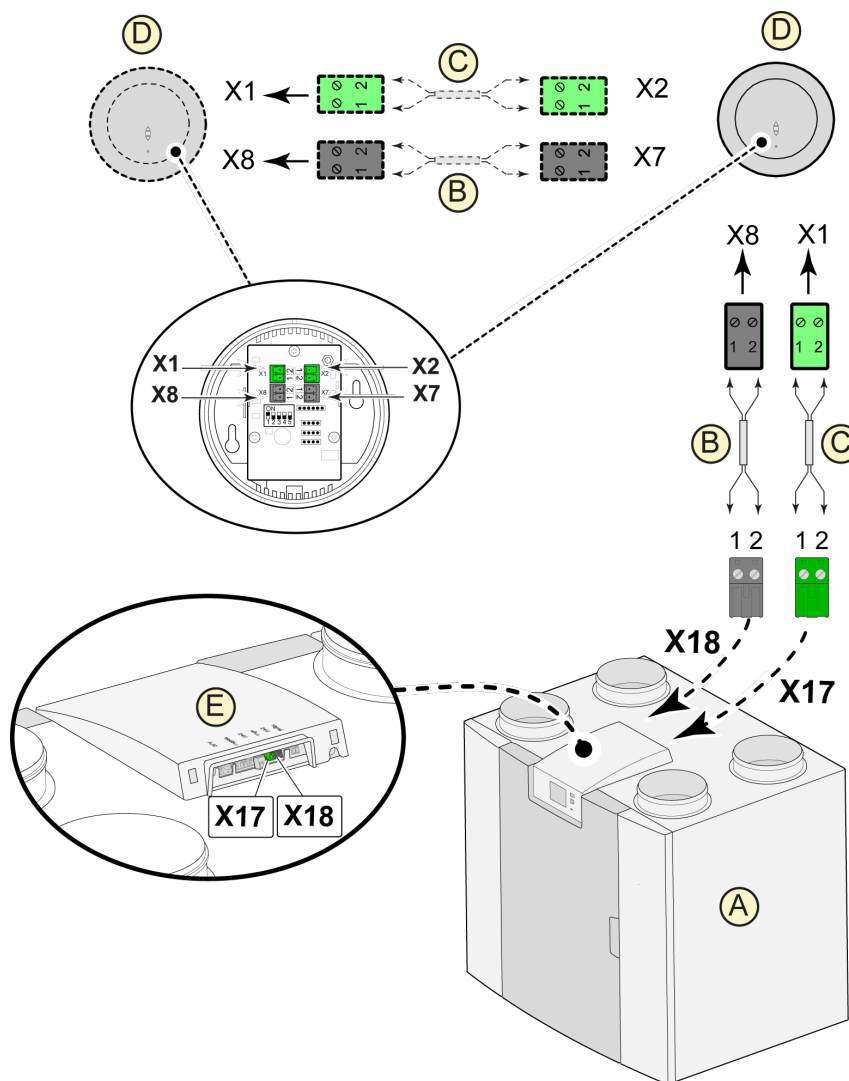
4 = The cable that comes with RH sensor

5 = RH (humidity) sensor

6 = Duct from dwelling

To switch on and set the sensitivity of the humidity sensor, go to step number 7.1 and 7.2 in the settings menu .

11.4 Connecting CO₂ sensor(s)



A = Flair appliance (For example a Flair appliance type 4-0).


B = 18-gauge wire (2x) for 24V power supply (black connectors).

C = 18-gauge wire (2x) for eBus connection (green connectors).

D = CO₂ sensor(s); connect a maximum of 4 in series.

E = Connection X17 (eBus) and X18 (24V) on Flair appliance.

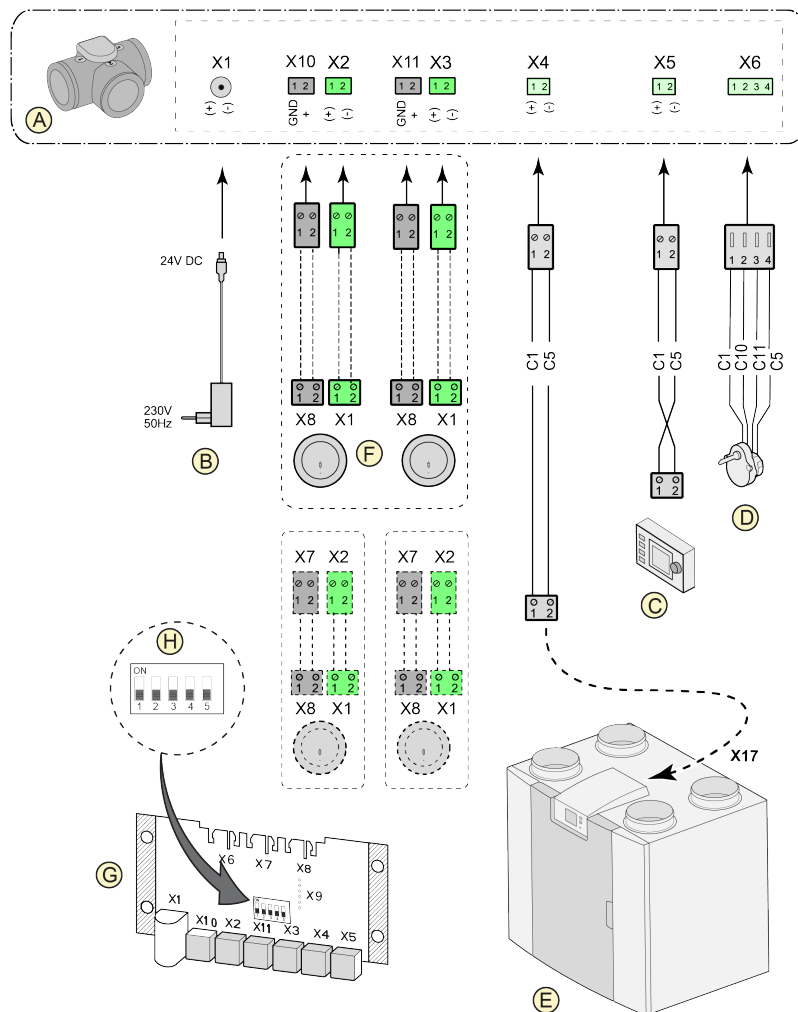
i Note

For switching the CO₂ sensor(s) on and off, select the right setting at step number 6.1 in the settings menu ; in order to set the minimum and maximum PPM value of the CO₂ sensor(s) set, if necessary, the right values following step numbers 6.2 to 6.9.

11.5 Demand-controlled ventilation 2.0

Demand-driven ventilation allows the ventilation need to be matched to the air quality. Matching the ventilation need with demand-driven ventilation can be done in two different ways, namely based on CO₂ measurements or based on a time program. Two different sets are available for this. Manual operation with the aid of an extra

connected multiple switch of course remains a possibility as well.
 For information regarding setting, operating and connecting demand-driven ventilation 2.0, refer to the installation instructions supplied with the demand-driven device.



A = Zone valve demand-driven ventilation

B = Power 24 VDC

C = Brink Air Control

D = Valve motor zone valve

E = EBus connection X17 on Flair appliance

F = CO₂-sensors (only applicable when demand-driven system is based on CO₂)

G = PCB demand-driven

H = Dipswitch setting on pcb zone valve

C1 = brown

C2 = blue

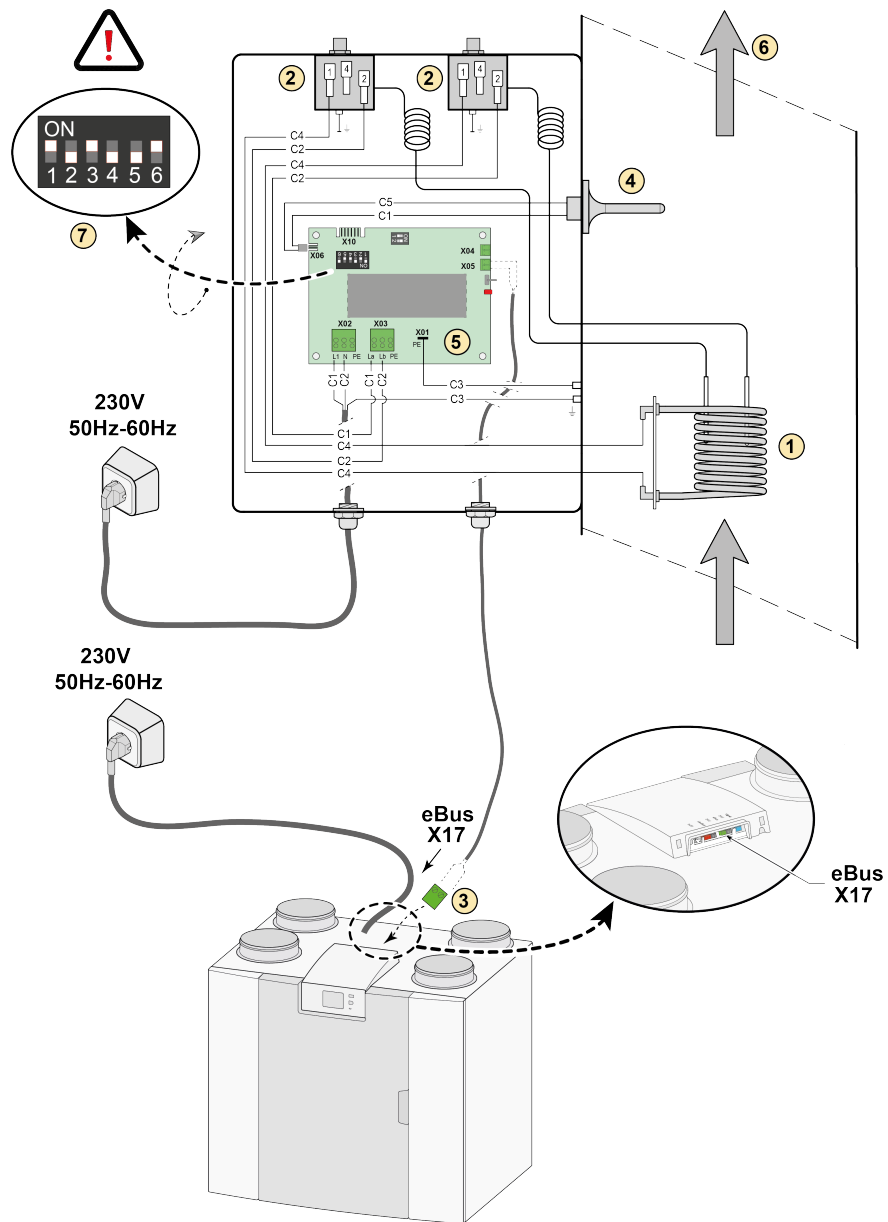
C3 = green/yellow

C5 = white

C10 = yellow

C11 = green

11.6 Connecting postheater

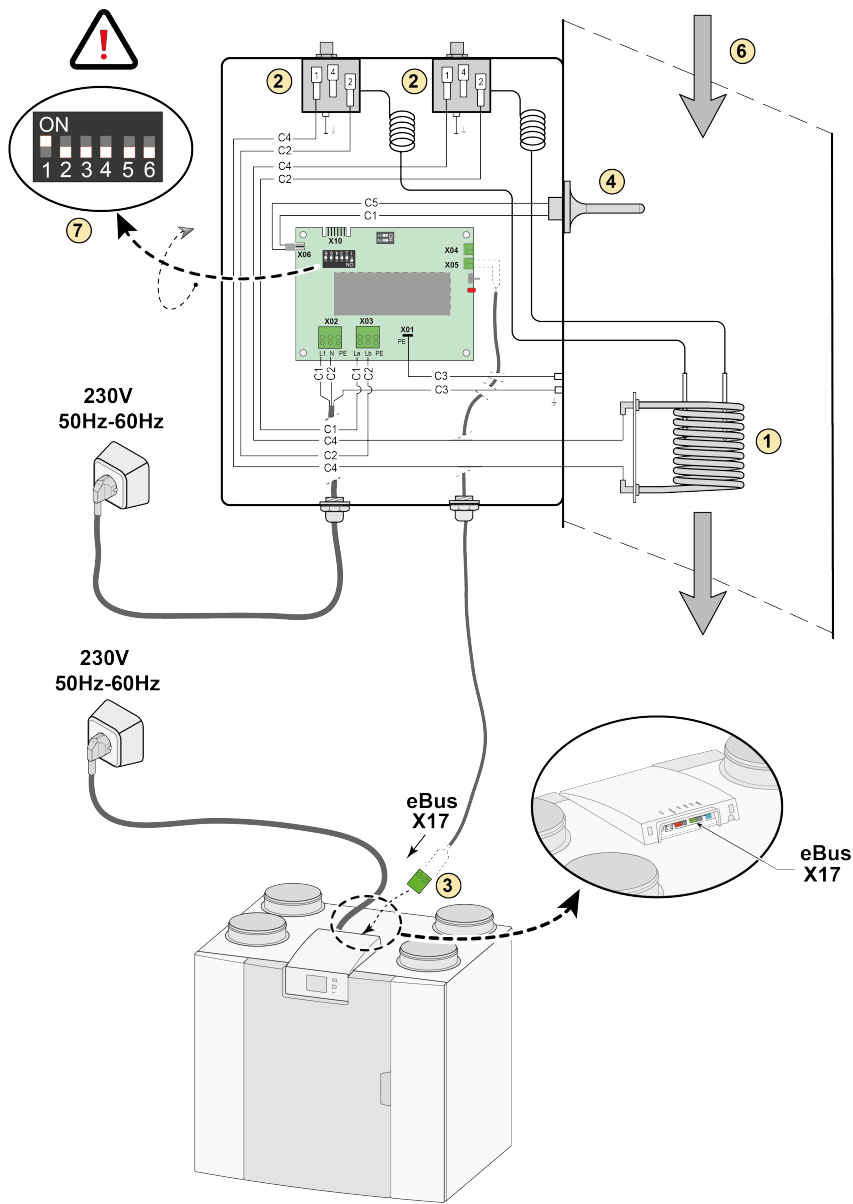


- 1 = Heating coil
- 2 = Maximum safety with manual reset
- 3 = 2-pole eBus connection X17 on Flair appliance
- 4 = Temperature sensor
- 5 = PCB type UVP1
- 6 = Airflow direction
- 7 = Dipswitch setting Flair postheater

C1 = brown
 C2 = blue
 C3 = green/yellow
 C4 = black
 C5 = white

(For example a Flair appliance type 4-0)

11.7 Connecting preheater

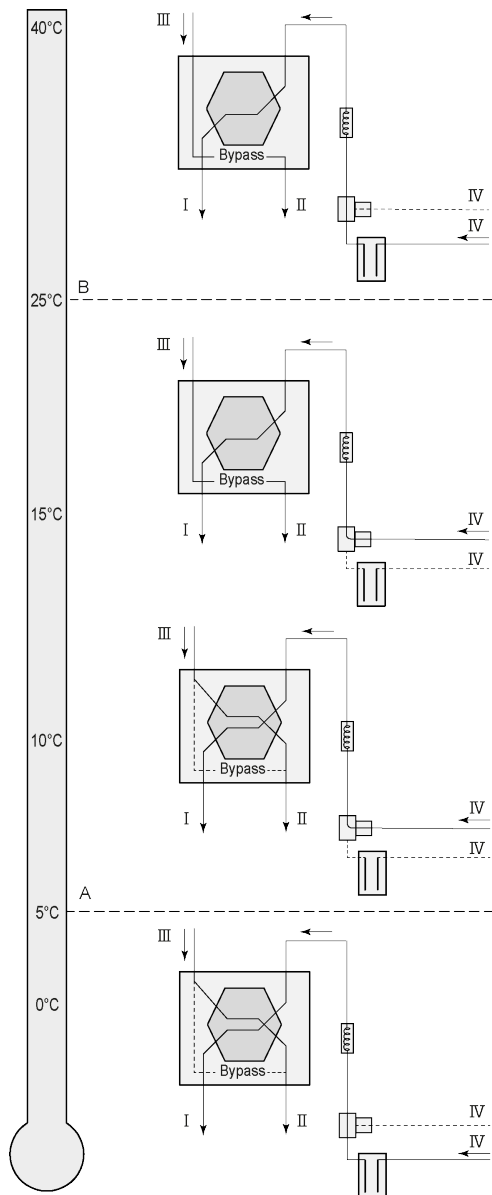


- 1 = Heating coil
- 2 = Maximum safety with manual reset
- 3 = 2-pole eBus connection X17 on Flair appliance
- 4 = Temperature sensor
- 5 = PCB type UVP1
- 6 = Airflow direction
- 7 = Dipswitch setting Flair preheater

C1 = brown
 C2 = blue
 C3 = green/yellow
 C4 = black
 C5 = white

(For example a Flair appliance type 4-0)

11.8 Connecting Geo-heat exchanger



A geo heat exchanger can be connected to the Flair appliance with (Plus) PCB.

Depending on the type of valve the geo heat exchanger can be connected to different connection of the (Plus) PCB:

X10 no. 1 & 2 - Relay output 1 (Factory setting)

X11 no. 1 & 2 - Relay output 2

X14 no. 1 & 2 - Analogue output 1 (0 - 10 V)

X15 no. 1 & 2 - Analogue output 2 (0 - 10 V)

Connect the outdoor temperature sensor to no. 1 and no. 2 of the 2-pole connector X-16.

A = Min. temperature

B = Max. temperature

I = To dwelling

II = To outside

III = From dwelling

IV = From outside

When using a geo heat exchanger, parameter 11.1 must be changed from "OFF" to "ON".

Step No.	Description	Factory setting	Range
11.1	Switching on and off	Off	On/ off
11.2	Switch temperature 1	5°C, 41°F	0.0 °C / 10.0 °C, 32°F / 50°F
11.3	Switch temperature 2	25°C, 77°F	15.0°C / 40.0 °, 59°F / 104°F
11.4	Mode valve 10 volt control	Closed	Open / Closed
11.5	Valve control	Relay output 1	Relay output 1/Relay output 2/ Analogue output 1/Analogue output 2

12 Service parts

12.1 Exploded view

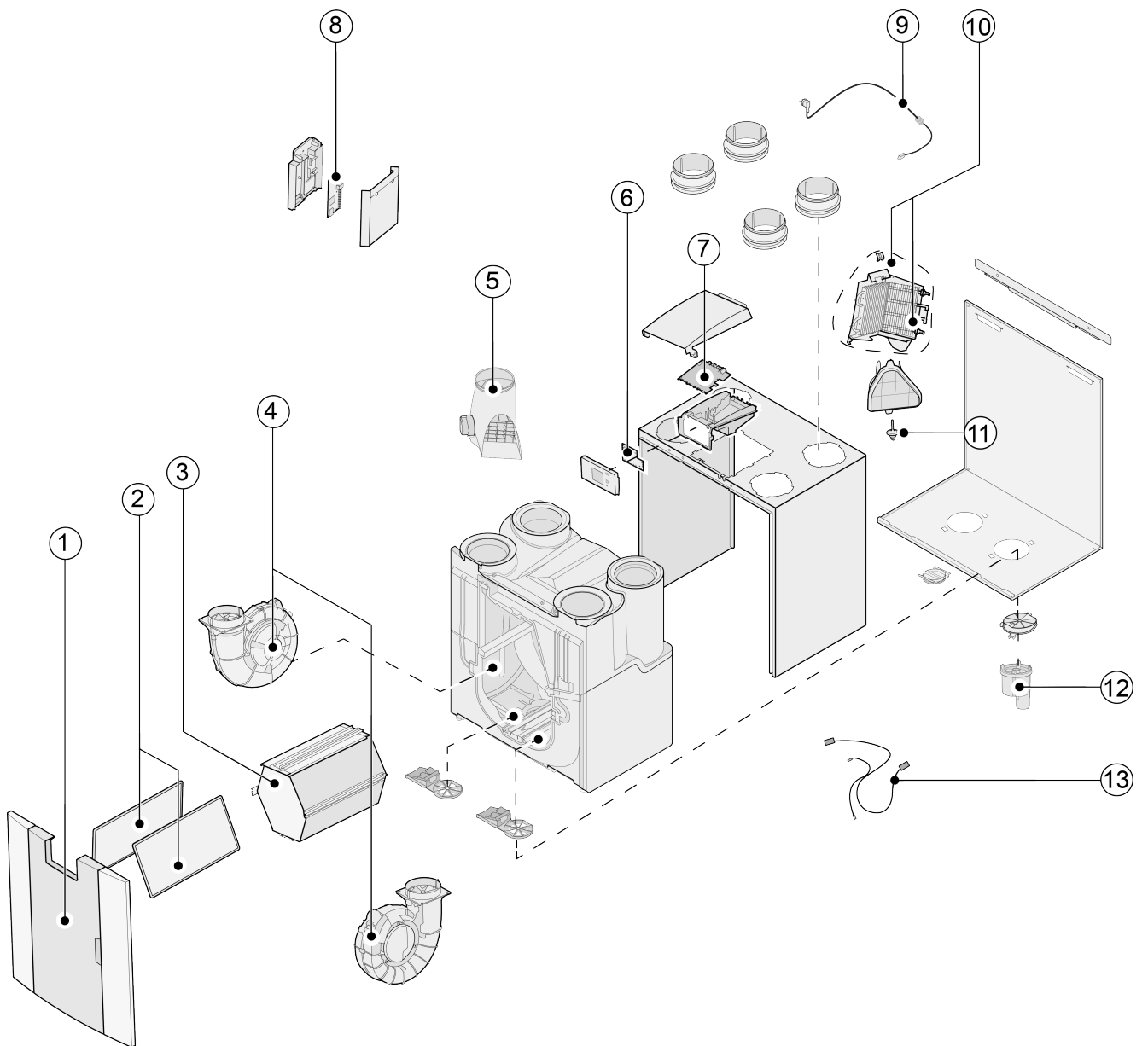
When ordering parts, in addition to the article code number (see exploded view), please state the heat recovery appliance type, the serial number, the year of production and the name of the part:

**Note**

Appliance type, serial number and year of production are stated on the identification plate behind the plastic front panel on the appliance.

Example	
Appliance type	Flair 325 (Plus)
Serial number	430000210201
Year of production	2024
Part	Fan
Article code	532759
Quantity	1

12.2 Service articles



No.	Article description	Article code
1	Front panel complete	532763
2	Filters (1x ISO Coarse 60% & 1x ePM1 50%)	532746
	Filter frame (1 items)	532719
3	Heat exchanger	532754
4	Fan (1 item)	532759
5	Bypass valve with motor complete	532760
6	Display pcb UBP-2	532752
7	Appliances manufactured before 01-01-2023 : Basic pcb UWA2-B + display	532750
	Appliances manufactured after 01-01-2023 : Basic pcb UWA2-B	532966
8	(Plus) pcb UWA2-E (only applicable with (Plus) version)	532751
9	Mains plug and cable 230 V *	532747
10	Internal preheater incl. maximum security	532761
11	Temperature sensor NTC 10K	531775
12	P-trap	532762
13	Cable set	532767

* The power cable is fitted with a circuit board connector. When replacing it, always order a replacement mains cable from Brink.

To prevent dangerous situations, a damaged mains connection can only be replaced by a qualified expert.

13 Settings

13.1 Setting values standard appliance

The below setting values are for a Flair 325-appliance **without** (Plus) pcb.

Step No	Description	Factory settings	Setting range	Comment
1	Flow rate			
1.1	Air flow rate setting 0	50 m ³ /h (30CFM)	0 or adjustable between 50 m ³ /h, (30CFM) and 325 m ³ /h, (192CFM) (never higher than step no. 1.2)	
1.2	Air flow rate setting 1	100 m ³ /h (59CFM)	Adjustable between 50 m ³ /h, (30CFM) and 325 m ³ /h, (192CFM) (not higher than step no. 1.3 or lower than step no. 1.1)	
1.3	Air flow rate setting 2	150 m ³ /h (89CFM)	Adjustable between 50 m ³ /h, (30CFM) and 325 m ³ /h, (192CFM) (not higher than step no. 1.4 or lower than step no. 1.2)	
1.4	Air flow rate setting 3	250 m ³ /h (148CFM)	Adjustable between 50 m ³ /h, (30CFM) and 325 m ³ /h, (192CFM) (not lower than step no. 1.3)	
1.5	Imbalance permissible	Yes	Yes / No	
1.6	Imbalance (Open fireplace)	0%	0% / +20%	
1.7	Offset supply	0%	-15% / +15% fan setting	Value calculated back to set flow rate, see screen
1.8	Offset exhaust	0%	-15% / +15% fan setting	
1.19	Default fan setting	1	0 or 1	
2	Bypass			
2.1	Mode Bypass	Automatic	- Automatic - Bypass closed - Bypass open	
2.2	Bypass temperature "from dwelling"	24 °C, 75.2°F	15 °C / 35 °C, 59°F / 95°F	
2.3	Bypass temperature "from outside"	10°C, 50°F	7 °C / 15 °C, 44.6°F / 59°F	
2.4	Bypass hysteresis (deadband)	2 °C, 35.6°F	0 °C / 5 °C, 32°F / 41°F	
2.5	Mode Bypass boost	Off	On / Off	
2.6	Fan setting selection Bypass boost	3	0 / 3	
3	Frost protection			
3.1	Frost temperature	0 °C, 32°F	-1,5 °C / 1,5 °C, 29.3°F / 34°F	
3.2	Minimum intake temperature	10 °C, 50°F	7 °C / 17°C, 44.6°F / 62.6°F	
4	Filter message			
4.1	Number of days until filter message	90	1 / 365 days	

Step No	Description	Factory settings	Setting range	Comment
4.2	Start of filter wizard	No	Yes / No	
4.3	Filter reset	No	Yes / No	
5	External heater			
5.1	Preheater on and off	Off	On / Off	
5.2	Postheater on and off	Off	On / Off	
5.3	Temperature postheater	21 °C, 70°F	15 °C / 30 °C, 59°F / 86°F	
6	CO₂ sensor			
6.1	Switching eBus CO ₂ sensor off and on	Off	On / Off	
6.2	Min. PPM eBus CO ₂ sensor 1	400 PPM	400 - 2000 PPM	
6.3	Max. PPM eBus CO ₂ sensor 1	1200 PPM		
6.4	Min. PPM eBus CO ₂ sensor 2	400 PPM		
6.5	Max. PPM eBus CO ₂ sensor 2	1200 PPM		
6.6	Min. PPM eBus CO ₂ sensor 3	400 PPM		
6.7	Max. PPM eBus CO ₂ sensor 3	1200 PPM		
6.8	Min. PPM eBus CO ₂ sensor 4	400 PPM		
6.9	Max. PPM eBus CO ₂ sensor 4	1200 PPM		
7	Humidity sensor			
7.1	Switching humidity sensor on and off	Off	On / Off	
7.2	Sensitivity of humidity sensor	0	+2 = most sensitive 0 = basic setting -2 = least sensitive	
8	Cascade			
8.1	Appliance setting	0 (Master)	0 / 9 (0=Master; 1 to 9 = S1, S2, S3.....S9)	
12	Central heating + heat recovery			
12.1	Status	Off	On / Off	
13	Network			
13.1	Set up WiFi network			
13.2	Sign up Brink Home			Enter password

Step No	Description	Factory settings	Setting range	Comment
13.3	IP address Default gateway Subnet Mask Primary DNS Secondary DNS Name Home Module Destination Server-IP Destination Server-port			
13.4	Advanced network settings			Change destination server IP and destination server port.
13.5	Reset network settings	Off	On / Off	Clear all settings and return to default settings.
14	Communication			
14.1	Type of Bus connection	ModBus	Off / ModBus/ internal Bus	
14.2	S1, S2...S9 (secondary) address	20	1 - 247	For Modbus
14.3	Baudrate	19k2	1200 / 2400 / 4800 / 9600 / 19k2 / 38k4 / 56k / 115k2	For Modbus
14.4	Parity	Even	No / Even / Odd	For Modbus
15	Appliance settings			
15.1	Language	English	English/ German/ French/ Dutch/ Lithuanian/ Danish/ Italian/ Polish/ Spanish/ Romanian/ Slovak/ Slovenian/ Estonian/ Norwegian/ Czech/ Hungarian/ Latvian	
15.2	Date format	dd-mm-yyyy	dd-mm-yyyy / mm-dd-yyyy	
15.3	Date			
15.4	Time format	24h	12h / 24h	
15.5	Time			
15.8	Display	No	Yes / No	Display half an hour active as 4 position switch; when "yes" is selected touchscreen permanently set as 4 position switch
15.9	Back to factory settings	No	Yes / No	
15.10	Fan position wizard	No	Yes / No	
16	Signal output			
16.1	Signal output	External contact 24V	Off / Only filter condition / Only fault condition / Filter and fault condition/ 24V	Connector X19
17	Standby			
17.1	Switch off appliance	No	Yes / No	

13.2 Setting values appliance with (Plus) pcb

The below setting values are for a Flair 325-appliance **with** (Plus) pcb.

Step No	Description	Factory settings	Setting range	Comment
9	Switch contacts			
9.1	Make or break contact 1	Make	Make / Break	
9.2	Switch contact control 1	Off	Off On Meets Bypass conditions Open bypass valve Open external valve	
9.3	Contact 1 Supply fan action	Fan off	Fan off Fan runs at absolute minimum Fan at setting 1 Fan at setting 2 Fan at setting 3 Fan at step 0 Fan according to 4 position switch Fan runs at absolute maximum No supply fan control	
9.4	Contact 1 Exhaust fan action	Fan off	Fan off Fan runs at absolute minimum Fan at setting 1 Fan at setting 2 Fan at setting 3 Fan at step 0 Fan according to 4 position switch Fan runs at absolute maximum No exhaust fan control	
9.5	Make or break contact 2	Make	Make / Break	
9.6	Switch contact control 2	Off	Off On Meets Bypass conditions Open bypass valve Open external valve	
9.7	Contact 2 Supply fan action	Fan off	Fan off Fan runs at absolute minimum Fan at setting 1 Fan at setting 2 Fan at setting 3 Fan at step 0 Fan according to 4 position switch Fan runs at absolute maximum No supply fan control	
9.8	Contact 2 Exhaust fan action	Fan off	Fan off Fan runs at absolute minimum Fan at setting 1 Fan at setting 2 Fan at setting 3 Fan at step 0 Fan according to 4 position switch Fan runs at absolute maximum No exhaust fan control	

Step No	Description	Factory settings	Setting range	Comment
10	0 - 10 V.			
10.1	Mode input 1	Off	On / Off	
10.2	minimum voltage input 1	0V	0V / 10V	Connector X-12
10.3	maximum voltage input 1	10V	0V / 10V	
10.4	Mode input 2	Off	On / Off	
10.5	minimum voltage input 2	0V	0V / 10V	Connector X-13
10.6	maximum voltage input 2	10V	0V / 10V	
11	Geo-heat exchanger			
11.1	Switching on and off	Off	On / Off	
11.2	Switch temperature 1	5 °C, 41°F	0.0 °C / 10.0 °C, 32°F / 50°F	
11.3	Switch temperature 2	25 °C, 77°F	15.0°C / 40.0 °C, 59°F / 104°F	
11.4	Mode valve 24 volt control	Closed	Open / Closed	
11.5	Valve control	Relay output 1	Relay output 1/ Relay output 2/ Analogue output 1/ Analogue output 2	

14 Conformity declaration

This declaration of conformity is issued under the sole responsibility of the manufacturer.

Manufacturer: Brink Climate Systems B.V.
Address: P.O. Box 11
NL-7950 AA, Staphorst, The Netherlands
Product: Flair 325

The product described above complies with the following directives:

◆ 2014/35/EU	(OJEU L 96/357; 29-03-2014)
◆ 2014/30/EU	(OJEU L 96/79; 29-03-2014)
◆ 2009/125/EU	(OJEU L 285/10; 31-10-2009)
◆ 2017/1369/EU	(OJEU L 198/1; 28-07-2017)
◆ RoHS 2011/65/EU	(OJEU L 174/88; 01-07-2011)

The product described above has been tested according to the following standards:

◆ EN IEC 55014-1:	2021
◆ EN IEC 55014-2:	2021
◆ EN IEC 61000-3-2:	2019 + A1:2021
◆ EN 61000-3-3:	2013 + A1:2019 + A2:2021
◆ EN 60335-1:	2012 + AC:2014 + A11:2014 + A13:2017 + A1:2019 + A2:2019 + A14:2019 + A15:2021
◆ EN 60335-2-40:	2003 + A11:2004 + A12:2005 + AC:2006 + A1:2006 + A2:2009 + AC:2010 + A13:2012
◆ EN 62233:	2008 + AC:2008

Staphorst, 07-06-2023



A. Hans
Technical Director

15 ERP values

Technical information sheet Flair 325 in accordance with Ecodesign (ErP), no. 1254/2014 (Annex IV)					
Manufacturer:		Brink Climate Systems B.V.			
Model:		Flair 325			
Climate zone	Type of control	SEC Value in kWh/m ² /a	SEC Class	Annual electricity consumption (AEC) in kWh	Annual heating saved (AHS) in kWh
Average	manual	-40.99	A	233	4614
	clock control	-41.59	A	215	4628
	1x sensor (RV/CO ₂ /VOC)	-42.72	A+	181	4657
	2 or more sensors (RV/CO ₂ /VOC)	-44.71	A+	124	4714
Cold	manual	-79.74	A+	770	9026
	clock control	-80.48	A+	752	9054
	1x sensor (RV/CO ₂ /VOC)	-81.88	A+	718	9110
	2 or more sensors (RV/CO ₂ /VOC)	-84.42	A+	661	9222
Hot	manual	-16.17	E	188	2086
	clock control	-16.69	E	170	2093
	1x sensor (RV/CO ₂ /VOC)	-17.66	E	136	2106
	2 or more sensors (RV/CO ₂ /VOC)	-19.33	E	79	2132
Type of ventilation unit:		Balanced residential ventilation appliance with heat recovery			
Fan:		EC - fan with infinitely variable control			
Type of heat exchanger:		Recuperative plastic cross-counterflow heat exchanger			
Thermal efficiency		92,5%			
Maximum flow rate:		325 m ³ /h			
Maximum rated power:		134 W			
Sound power level Lwa:		41 dB(A)			
Reference flow rate:		228 m ³ /h			
Reference pressure:		50 Pa			
Specific Power Input (SEL):		0.15 Wh/m ³			
Control factor:		1.0 in combination with multi-position switch			
		0.95 in combination with clock control			
		0.85 in combination with 1 sensor			
		0.65 in combination with 2 or more sensors			
Leakage*	Internal	1,2 %			
	External	0,9 %			
Position dirty filter indication:		On the display of the appliance / on the multi-position switch (LED) / on the Brink Air Control. Attention! For optimal energy efficiency and a proper operation, a regular filter inspection, cleaning or replacement is necessary.			
Internet address for Assembly instructions:		https://www.brinkclimatesystems.nl/support/downloads			
Bypass:		Yes, 100% Bypass			

* Measurements executed by TZWL according to the EN 13141-7 standard

Classification from 1 January 2016	
SEC class ("Average climate zone")	SEC in kWh/m ² /a
A+ (Most efficient)	SEC < -42
A	-42 ≤ SEC < -34
B	-34 ≤ SEC < -26
C	-26 ≤ SEC < -23
D	-23 ≤ SEC < -20
E (Least efficient)	-20 ≤ SEC < -10

16 Recycling and disposal



Do not dispose of as household waste!

In accordance with the Waste Disposal Act, the following components must be disposed of or recycled in an environmentally compatible manner by means of appropriate collection points:

- Old appliance
- Wearing parts
- Defective components
- Electrical or electronic waste
- Environmentally hazardous liquids and oils

Environmentally compatible means separated by material groups to ensure the greatest possible recyclability of the basic materials with the minimum environmental impact.

1. Dispose of packaging made of cardboard, recyclable plastics and synthetic filler materials in an environmentally compatible manner through appropriate recycling systems or a recycling center.
2. Please observe the applicable national and local regulations.



Air for life

Brink Climate Systems B.V.

Wethouder Wassebaliestraat 8, NL-7951SN Staphorst

T: +31 (0) 522 46 99 44

E. info@brinkclimatesystems.nl

www.brinkclimatesystems.nl